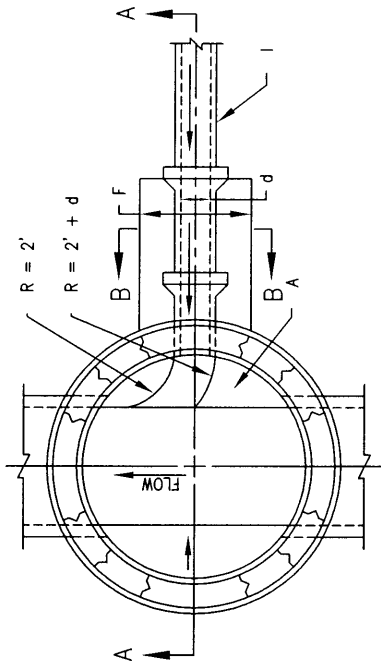
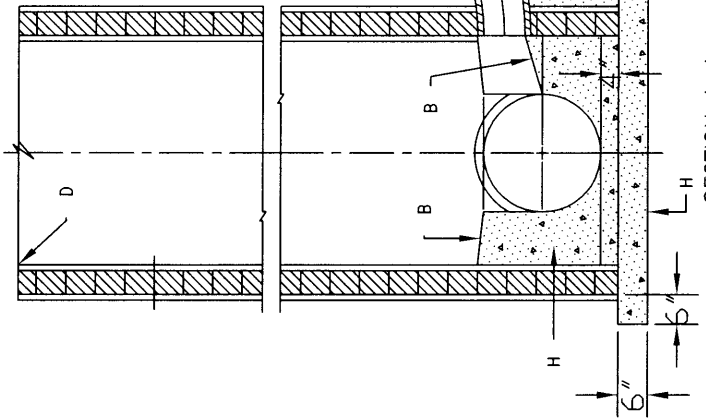


CONSTRUCTION NOTES:

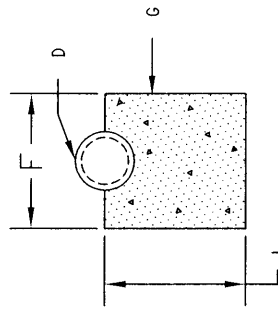
- A. FORM PIPE INVERT IN SHELF.
- B. SLOPE, 1" PER FT. ON BRANCH LINES. IF CURVILINEAR DROP IS ON TRUNK LINE, STANDARD DROP THROUGH MH SHALL APPLY.
- C. MH TYPE FOR UPPER PORTION WILL BE SPECIFIED ON DESIGN PROFILE.
- D. D.I. OR P.V.C. (SRD 35) PIPE.
- E. USE BELL AND SPIGOT 45° ("SWEEP") LONG RADIUS BEND.
- F. CONC. SUPPORT WIDTH EQUALS PIPE O.D. PLUS 6" MIN. EACH SIDE.
- G. 3000 PSI CONC. FILL.
- H. REINFORCED CONC. BASE. SEE CONSTRUCTION NOTE F. OF DWG. 2101, 2102.
- I. VERTICAL CURVILINEAR SEWER PIPE. CURVE RADIUS PER DPM GUIDELINES FOR HORIZONTAL CURVILINEAR SEWER.
- J. DEPTH OF CONC. CRADLE FROM MH BASE TO PIPE SPRING LINE.



FLOOR PLAN



SECTION A-A



SECTION B-B

REVISIONS

NM APWA
SEWER
VERTICAL CURVILINEAR
SEWER AT M.H.

DWG. 2117

FEB. 2006