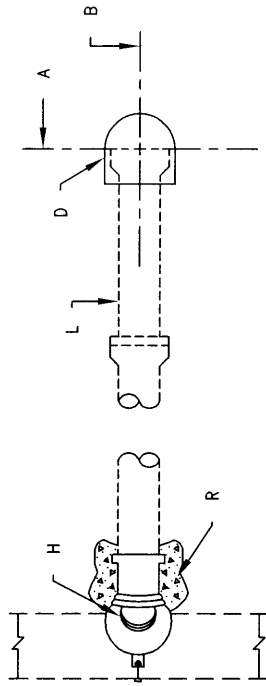
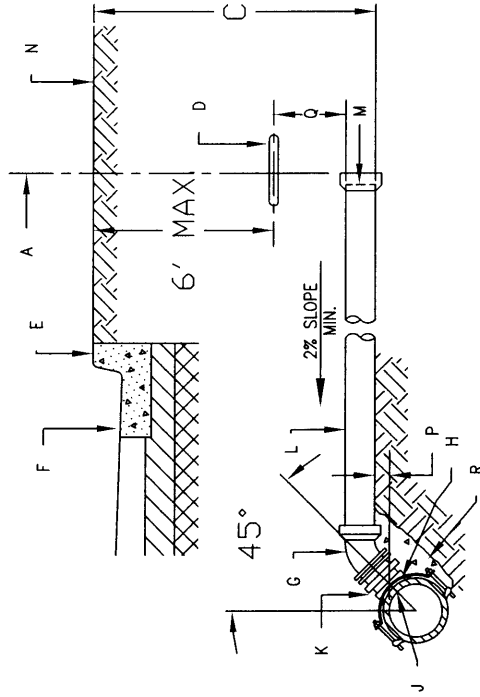


GENERAL NOTES:

1. ALL SERVICE LINES SHALL CONFORM TO THE PLUMBING CODE OF THE OWNER AND TO CHAPTER 24 SECTION 2 PART E, DEVL. PROC. MANUAL.
- CONSTRUCTION NOTES:
- A. RIGHT-OF-WAY LINE.
  - B.  $\varnothing$  SERVICE LINE.
  - C. MIN. OF 4 FT. FROM INVERT TO TOP OF CURB AT RIGHT-OF-WAY LINE.
  - D. ELECTRONIC MARKER DISC, COLOR CODED GREEN, PLACED ONLY IF SERVICE HOOK-UP IS POSTPONED.
  - E. STAMP OR CHISEL 3" SIZE, "S" ON TOP OF CURB OVER LOCATION OF SERVICE LINE, MIN. 1/4" DEEP.
  - F. CURB & GUTTER.
  - G. 22.5° OR 45° BEND.
  - H. CORE DRILLED, USING FOWLER QUIK-WAY DRILL SYSTEM OR PILOT HOLE CUTTER SYSTEM OR APPROVED EQUAL.
  - J. SERVICE LINE SHALL NOT PROTRUDE INTO SEWER MAIN.
  - K. SANITARY SEWER TAPPING TEE, USING PIONEER OR GENERAL ENGINEERING CO. SADDLES OR APPROVED EQUAL. DO NOT OVER TIGHTEN SADDLE BOLTS WHICH WOULD PREVENT FREE PASSAGE OF REQUIRED MANDREL.
  - L. SERVICE LINE, (C.I. SOIL PIPE, SERVICE WEIGHT PVC SCH 40 OR ABS SCH 40).
  - M. PLUG OR CAP.
  - N. GROUND LEVEL.
  - P. SAME ELEVATION OR HIGHER.
  - Q. APPROX. 6" BUT DEPTH OF BURIAL SHALL NOT BE MORE THAN 6'.
  - R. BACKFILL UNDER SERVICE WITH MIN. 1 CUBIC FOOT OF P.C. CONCRETE ("SACKCRETE" OR EQUAL ALLOWABLE THIS INSTALLATION).



SERVICE LINE PLAN



CROSS SECTION

REVISIONS

NM APWA

SEWER  
SERVICE LINE DETAILS

DWG. 2125

FEB. 2006