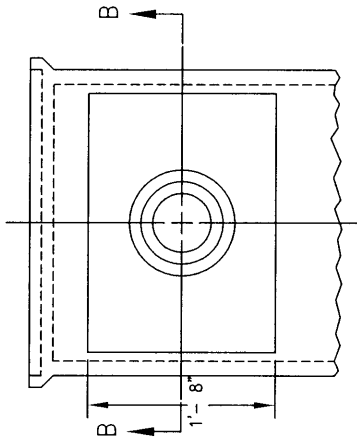


GENERAL NOTES:

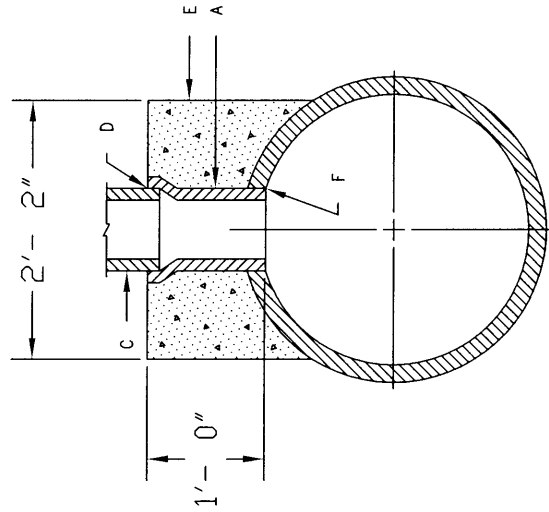
1. RISERS WILL BE USED WHERE SEWER IS OVER 14 FT. IN DEPTH OR WHERE WATER TABLE IS ABOVE SEWER LINE. TOP OF RISER SHALL BE 10 FT. BELOW THE PAVEMENT OR GROUND SURFACE WHEN SEWER MAINS ARE INSTALLED DEEPER THAN 14 FT. OR SHALL BE 2 FT. ABOVE WATER TABLE.
2. BRACE RISER PIPE SECURELY BEFORE BACKFILLING. LAY EACH JOINT OF RISER PIPE AS BACKFILLING PROGRESSES. CAREFULLY TAMP BACKFILL AROUND EACH JOINT OF RISER PIPE. EXTREME CARE MUST BE TAKEN IN ORDER TO PREVENT SHOVING OF PIPE OUT OF PLUMB.
3. ELECTRONIC MARKER DISK SHALL BE PROVIDED OVER RISER AT A DEPTH OF APPROX. 4 FT. TO LOCATE PIPE.

CONSTRUCTION NOTES:

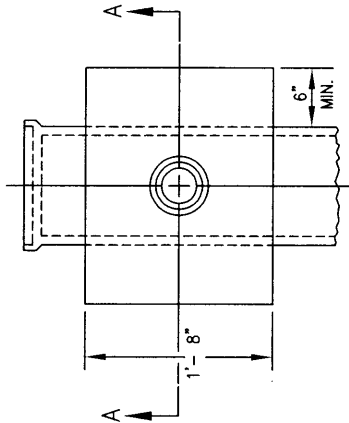
- A. TAPPING TEE FOR CONNECTION TO EXIST LINES WHERE NO EXIST. TEE IS AVAILABLE OR STD. PIPE TEE FOR NEW CONSTRUCTION. SEE NOTE K, DWG. 2125.
- B. PROVIDE CONC. OR CLAY PLUG.
- C. 4" OR 6" RISER, (C.I.P.).
- D. WATER TIGHT GASKET PRESSURE RING JOINT.
- E. CONC. CRADLE & SUPPORT.
- F. CORE DRILLED TAP.



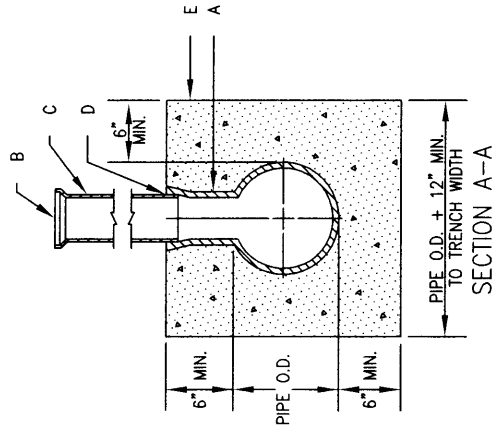
PLAN
FOR GREATER THAN 24" PIPE



SECTION B-B



PLAN
FOR 8" TO 24" PIPE



SECTION A-A
PIPE O.D. + 12" MIN.
TO TRENCH WIDTH

REVISIONS

NM APWA

SEWER
RISER DETAILS
RIGID PIPE MAIN

DWG. 2135

FEB. 2006