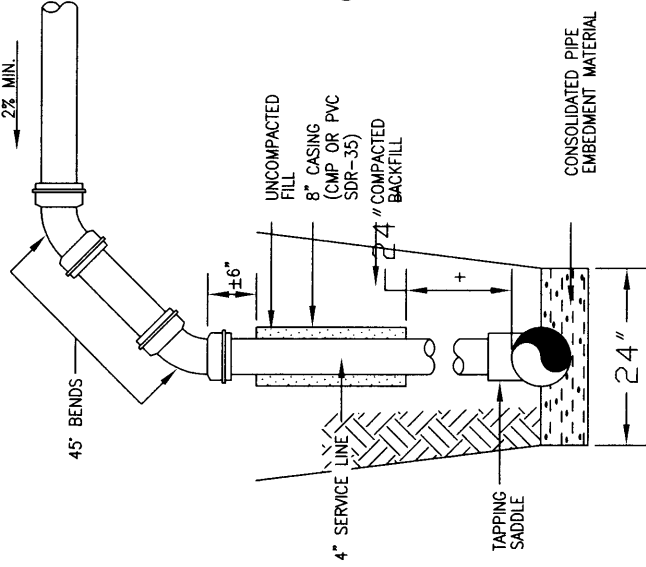
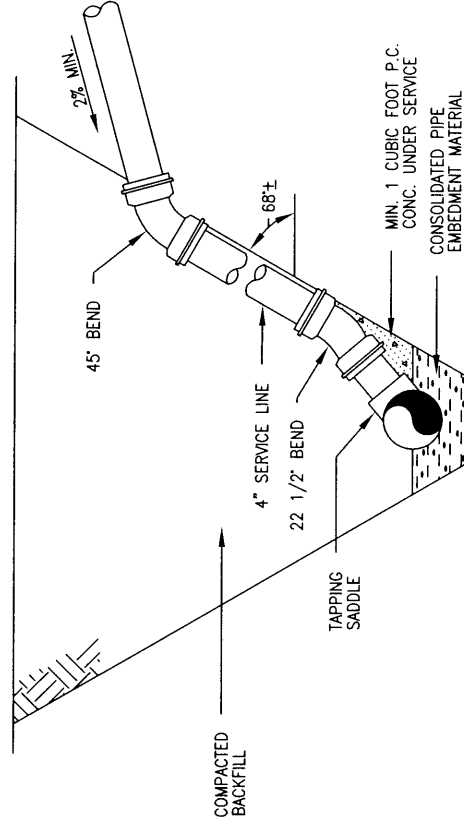


GENERAL NOTES:

1. THESE DETAILS REFER ONLY TO INSTALLATIONS ON FLEXIBLE PIPE MAINS. REFER TO OTHER APPROPRIATE STANDARDS FOR RIGID PIPE MAINS.
2. DETAIL "A" SHALL BE USED WHEN A TRENCH BOX, SHORING OR OTHER MEANS OF EXCAVATION BRACING IS USED, OTHERWISE IT SHALL BE THE CONTRACTOR'S OPTION TO USE EITHER DETAIL "A" OR DETAIL "B".
3. REFER TO SPECIFICATION SECTION 805 FOR MATERIAL REQUIREMENTS.



DETAIL "A"



DETAIL "B"

REVISIONS

CITY OF ALBUQUERQUE
 SEWER
 RISER DETAILS
 FLEXIBLE PIPE MAIN
 DWG. 2136