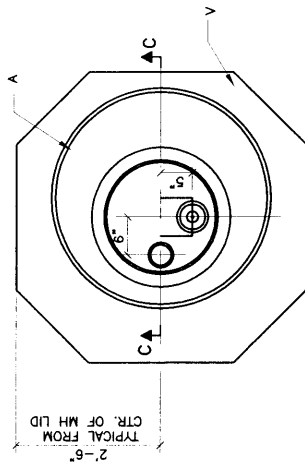
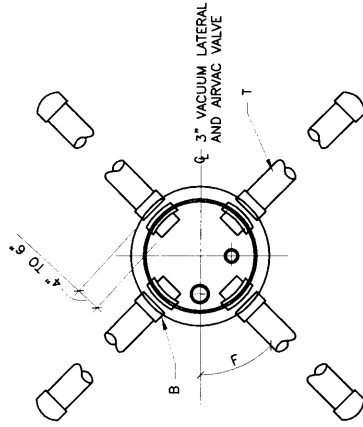


**GENERAL NOTES:**

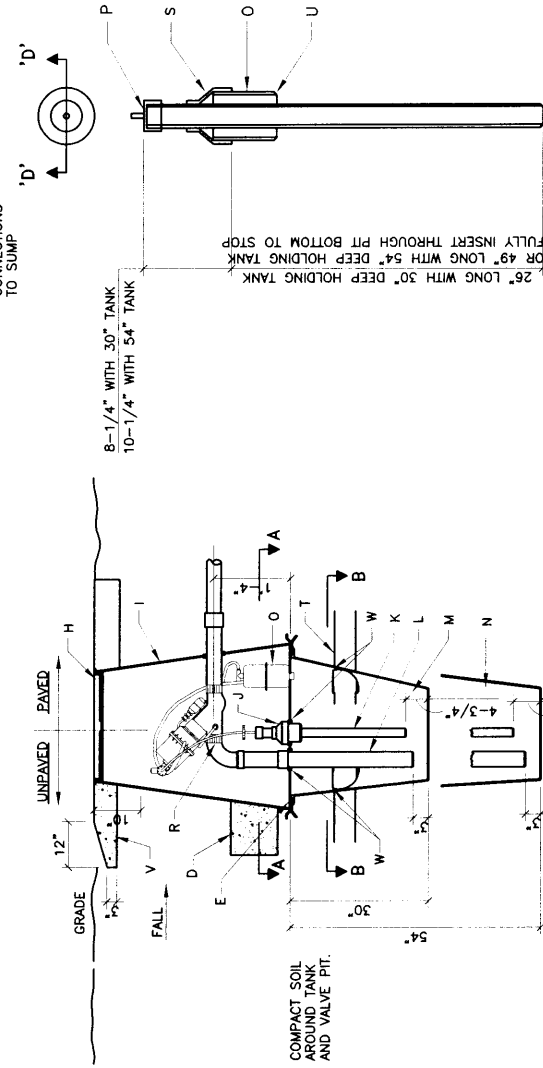
1. THE FOLLOWING HOLES IN VALVE PIT AND SUMP TO BE FIELD CUT: 5" GRAVITY (SUMP)
2. ONLY HOMES OR APARTMENTS WHOSE LOWER FLOOR ELEVATIONS ARE THE SAME SHOULD BE CONNECTED TO A COMMON VACUUM VALVE PIT INSTALLATION. WITH MULTIPLE FLOOR APARTMENTS, EACH FLOOR SHOULD BE SERVICED BY ITS OWN VACUUM VALVE PIT PKG.
3. FOR ANTI-FLOTATION RING, GRADE-LEVEL PAD, PIPING FROM VALVE PIT TO VACUUM MAIN AND GRAVITY SERVICE STUBS, VALVE TO BE INSTALLED BY OWNER. ALL OTHER INSTALLATION AND TESTING BY CONTRACTOR.

**CONSTRUCTION NOTES:**

- A. RTM MOLDED FIBERGLASS VALVE PIT BOTTOM WITH HOLES FACTORY CUT.
- B. GLUE HALF OF A SLIP COUPLING IN PLACE AT 4" TO 6" FROM END OF GRAVITY LINE TO ACT AS A STOP.
- C. NOT USED
- D. ANTI-FLOTATION RING (TYP), SEE PIT DETAILS.
- E. JOINT SEALED WITH NEOPRENE RUBBER O-RING, HOLDING TANK BOLTED TO VALVE PIT BOTTOM WITH 6 S.S. NUTS, BOLTS AND WASHERS.
- F. OFFSET 45 DEGREES TO AVOID CONFLICT BETWEEN PIPES
- G. NOT USED
- H. CAST IRON FRAME & SOLID LID RATED FOR H2O LOADING. NEENAH MODEL R-5900-F W/SOLID LID OR APPROVED EQUAL.
- I. SPIRAL WOUND, H2O LOADING RATED, FIBERGLASS VALVE PIT. 27" I.D. AT TOP, 36" I.D. AT BOTTOM.
- J. 4" CLEANOUT/SENSOR ASSEMBLY
- K. 2" SENSOR LINE.
- L. 3" SUCTION LINE.
- M. FIBERGLASS SUMP 30" DEEP, SUMP 30" I.D. AT TOP, 16" I.D. AT BOTTOM.
- N. FIBERGLASS SUMP 54" DEEP TO ALLOW CONNECTION OF DEEP GRAVITY LINES; DIAMETERS SAME AS 30" SUMP.
- O. SUMP BREATHER ASSEMBLY
- P. 2" AIRVAC PVC SENSOR CAP.
- Q. NOT USED
- R. 3" NO-HUB COUPLINGS.
- S. 2"x4" REDUCER COUPLING W/INDEX REMOVED (GLUE JOINTS)
- T. 4" PVC GRAVITY STUB, EXTEND TO PROPERTY LINE
- U. UNLESS OTHERWISE DIRECTED AND GLUE CAP.
- V. END BEVELED.
- W. CONCRETE COLLAR PER C.O.A. STD. DWG. 2461.
- W. GROMMET



SECTION 'A-A'



SECTION 'D-D'

COMBINATION CLEAN OUT-SENSOR PIPE DETAIL

SECTION 'C-C'

REVISIONS	NM APWA
	VACUUM SEWER STANDARDS 3" VALVE AND PIT INSTALLATION WITH INTERNAL BREATHER DWG. 2165 FEB. 2006