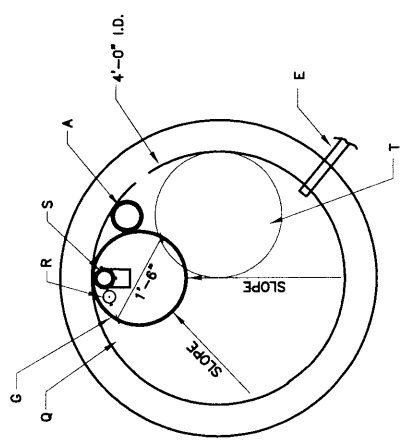
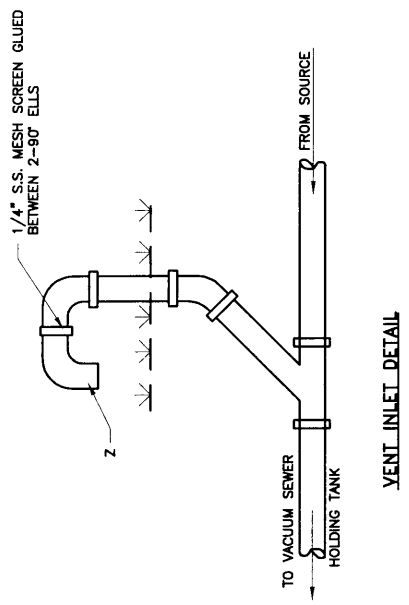
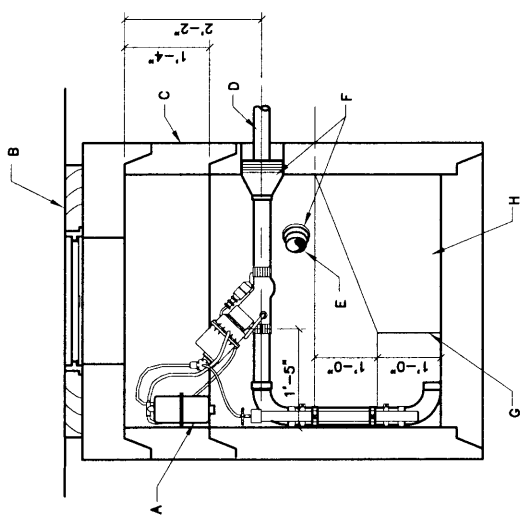
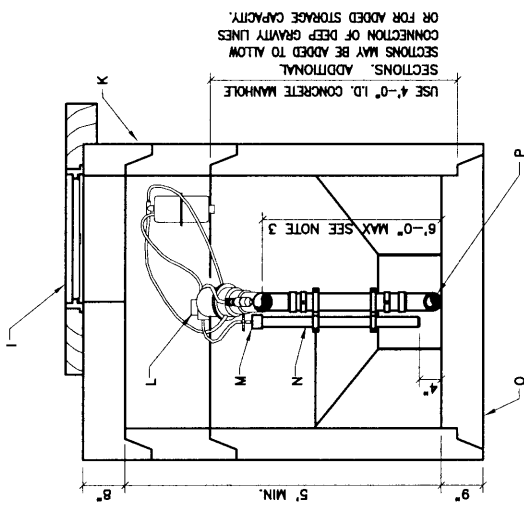


GENERAL NOTES:

1. ANY LIFT EXCEEDING 6" MUST BE ADDED TO HEAD LOSSES ON VACUUM MAIN AND SERVICE LINE TO DETERMINE IF SUFFICIENT VACUUM HEAD IS AVAILABLE.
2. ALL MATERIALS AND HARDWARE FOR INSTALLING VALVE TO BE FURNISHED BY CONTRACTOR. ALL INSTALLATION AND TESTING BY CONTRACTOR, EXCEPT VALVE TO BE INSTALLED BY OWNER. ALL PVC FITTINGS TO BE GLUED EXCEPT WHERE NOTED. DRILL HOLE IN WALL FOR MOUNTING SCREW FOR SUMP BREATHER.

CONSTRUCTION NOTES:

- A. SUMP BREATHER ASSEMBLY
- B. CONCRETE COLLAR, PER STD DWG. 2481.
- C. CONCRETE MANHOLE SECTION.
- D. 3" VACUUM SERVICE LINE.
- E. GRAVITY INLET MUST BE LOCATED BETWEEN THE VACUUM SERVICE LINE AND THE START OF SLOPE TO SUMP. MIN. 4" GRAVITY SEWER WITH MATCHING DIAMETER VENT, MIN. 20' FROM TANK.
- F. STANDARD FLEXIBLE CONNECTIONS. ALL CONNECTIONS TO BUFFER TANK MUST BE WATER TIGHT.
- G. 1'-6" I.D. PVC PIPE 1'-0" LONG MAY BE USED TO FORM SUMP AREA.
- H. MASS CONCRETE.
- I. SEWER FRAME & COVER PER STD. DWG. 2110
- K. PRECAST CONCRETE FLAT TOP FOR MANHOLE WITH 2'-0" DIA. OPENING.
- L. 3" "D" MODEL VALVE. BY AIRVAC OR EQUAL.
- M. 2" PVC SENSOR CAP SUPPLIED WITH VALVE.
- N. 2" PVC SENSOR PIPE
- O. PRECAST CONCRETE BOTTOM IN MANHOLE SECTION.
- P. 3" STREET ELL TOUCHING BASE OF SUMP WITH PLAIN END. NO CONNECTION.
- Q. VALVE AND PIPING REMOVED FOR CLARITY.
- R. SENSOR PIPE.
- S. VALVE CONNECTION.
- T. LOCATION OF LID.
- R. SENSOR PIPE.
- S. VALVE CONNECTION.
- T. LOCATION OF LID.
- Y. LOCATE VENT BY POLE OR FENCE FOR PROTECTION
- Z. VENT FABRICATED WITH 90° ELLS; HEIGHT MUST BE ABOVE FLOOD WATER LEVEL, BUT BELOW FINISHED FLOOR LEVEL OF LOWEST RESIDENCE SERVED.



REVISIONS	NM APWA
	VACUUM SEWER STANDARDS SINGLE BUFFER TANK 30 GALLON PER MINUTE MAX. FLOW DWG. 2167
	FEB. 2006