

**GENERAL NOTES:**

1. ALL COMPACTION OF SUBGRADE AND BACKFILL FOR INSTALLATION OF VACUUM VALVE PIT TO BE 95% OF MAXIMUM DRY DENSITY PER ASTM D 1557.
2. AVOID EXCESSIVE EXPOSURE TO SUNLIGHT OF OPEN VACUUM VALVE PITS. CLOSE & COMPLETE WITHIN 3 DAYS TO INSURE INTEGRITY OF RUBBER O-RING.
3. SEE STD. DWG. 2165 FOR ADDITIONAL DETAILS.

**CONSTRUCTION NOTES:**

- A. 62" SQUARE CONC. ANTI-FLOATATION COLLAR; WITH #4 REBAR @ 6" E.W. 3" FROM EDGE OF CONC. SEE TABLE 1 FOR THICKNESS. CONCRETE PER SEC. 101 HYDRAULIC STRUCTURAL CONCRETE,  $f'_c=4000$  psi @ 28 DAYS.
- B. CLEARANCE BETWEEN CONCRETE COLLAR AND FIBERGLASS PIT.
- C. 35" DIA. OPENING @ TOP OF SLAB.
- D. 35-1/2" DIA. OPENING @ BOTTOM OF SLAB.
- E. INSTALL CONCRETE COLLAR PER STD. DWG. 2461.
- F. CAST IRON MANHOLE FRAME AND COVER; SEE STD. DWG. 2165
- G. 1" CLEARANCE TO BOTTOM OF 3" LATERAL
- H. 3" THICK 3/4" GRAVEL, ASTM C33, NO. 57 GRAVEL.
- I. COMPACTED SUBGRADE
- J. FINISH GRADE

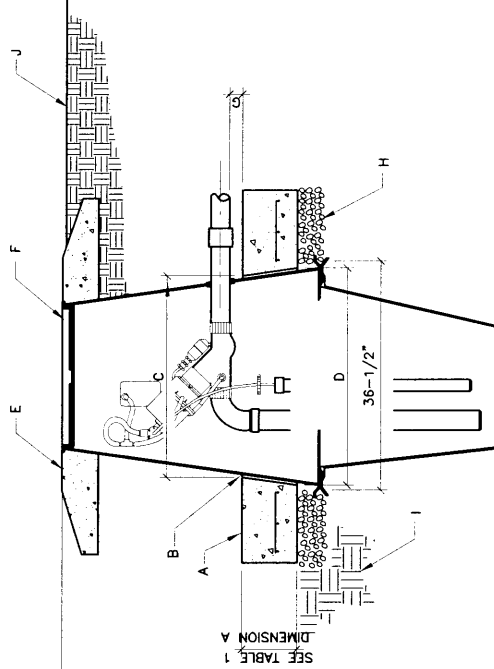


TABLE 1

DESCRIPTION	DIM. A
30" SUMP PACKAGE	7 1/2"
54" SUMP PACKAGE	9 1/2"

(SEE STD. DWG. 2165)

REVISIONS

NM APWA

VACUUM SEWER STANDARDS  
 VACUUM VALVE PIT - TYPE "B"  
 FOR USE IN UNPAVED AREAS  
 DWG. 2172 FEB. 2006