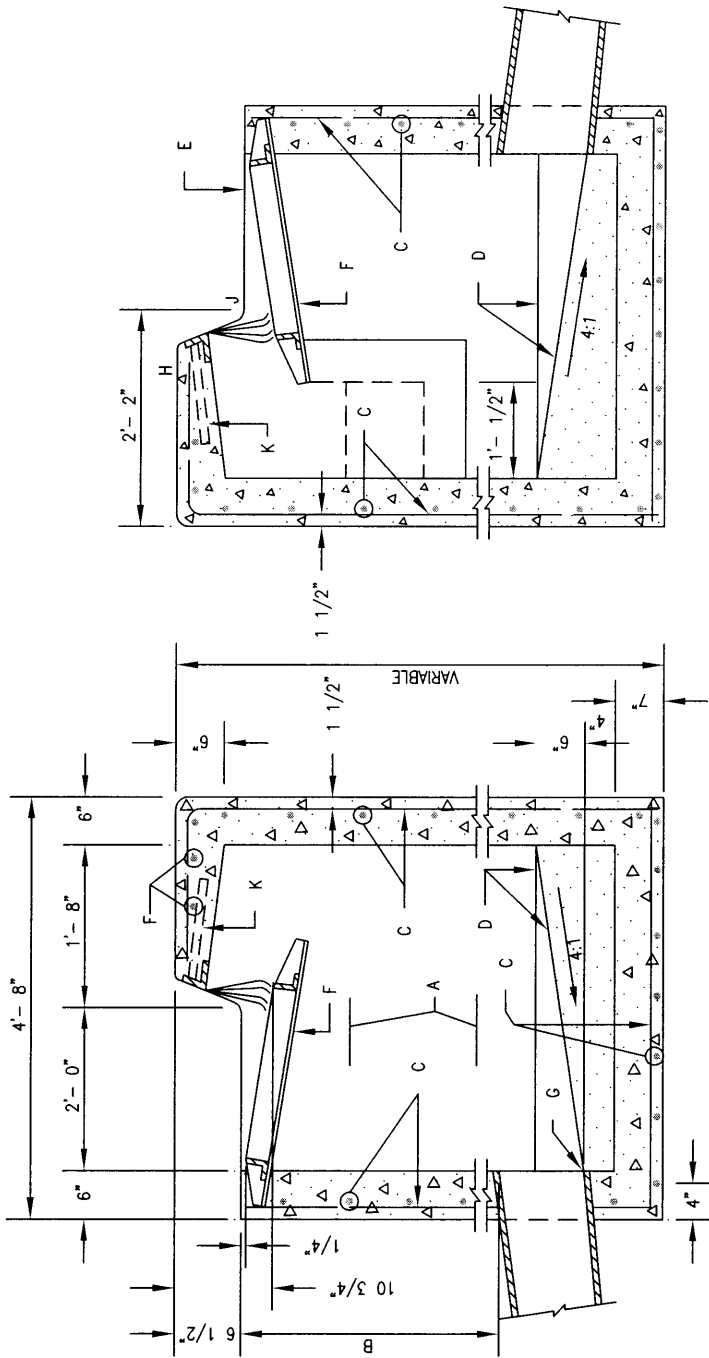


GENERAL NOTES:

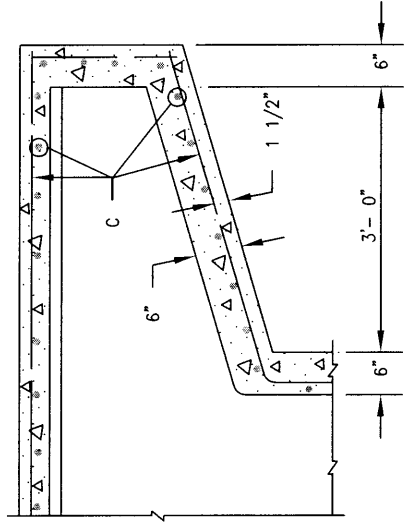
1. SEE DWG. 2201 FOR PLAN AND SECTION A-A.
2. GENERAL NOTES 2, 3 & 4 ON DWG. 2201 ALSO APPLY TO THIS DRAWING.
3. FOR ANCHOR DETAIL, SEE DWG. 2205.

CONSTRUCTION NOTES:

- A. STORM INLET STEPS, SEE DWG. 2229 FOR SPACING.
- B. 1'-10" MIN. UNLESS OTHERWISE DIRECTED.
- C. NO. 4 BARS AT 6" O. C. EACH WAY.
- D. CONCRETE FILL, MINIMUM SLOPES SHOWN IN SECTIONS.
- E. NORMAL GUTTER.
- F. GRATE FRAME.
- G. INVERT ELEVATION PER DESIGN.
- H. TOP OF CURB.
- J. FLOWLINE.
- K. ANGLE ANCHOR.

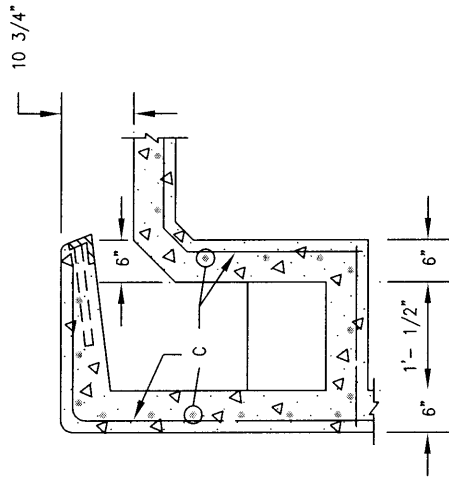


SECTION B-B



SECTION D-D

SECTION C-C



SECTION E-E

REVISIONS

NM APWA

DRAINAGE

STORM INLET TYPE "A"

SECTIONS B-B, C-C, D-D, & E-E

DWG. 2202

FEB. 2006