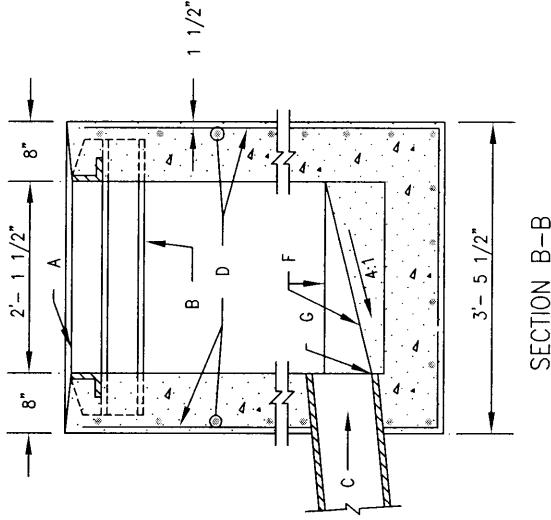


GENERAL NOTES:

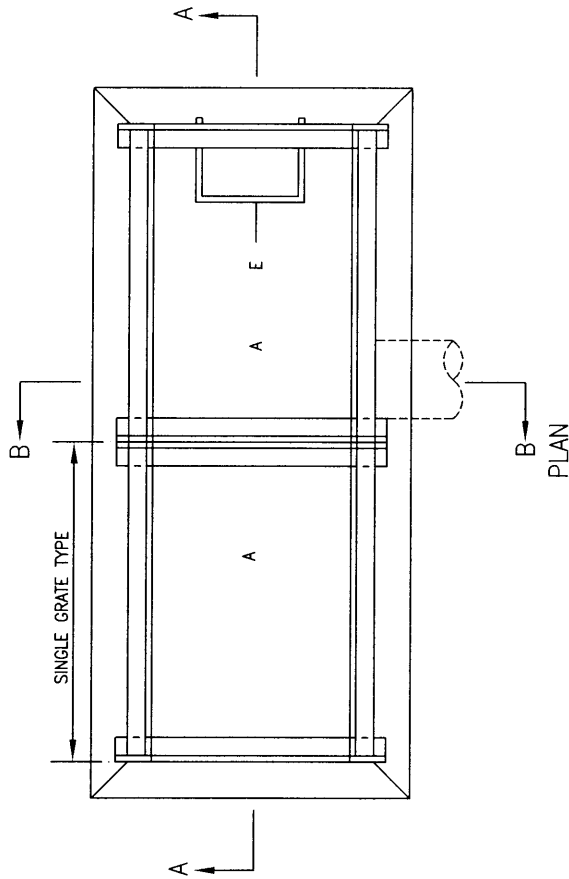
1. FOR SINGLE GRATE TYPE STORM INLET. DELETE CENTER SUPPORT AND MOVE ONE END WALL TO FORM NEW SINGLE GRATE INLET.
2. STORM INLET GUTTER TRANSITION WILL BE SHOWN ON THE CONSTRUCTION PLANS.
3. OUTLET PIPE SIZE, PER DESIGN REQUIREMENT.
4. FOR FRAME & GRATING, SEE DWG. 2216, 2220 & 2221.
5. FOR CENTER SUPPORT ASSEMBLY, SEE DWG. 2215.

CONSTRUCTION NOTES:

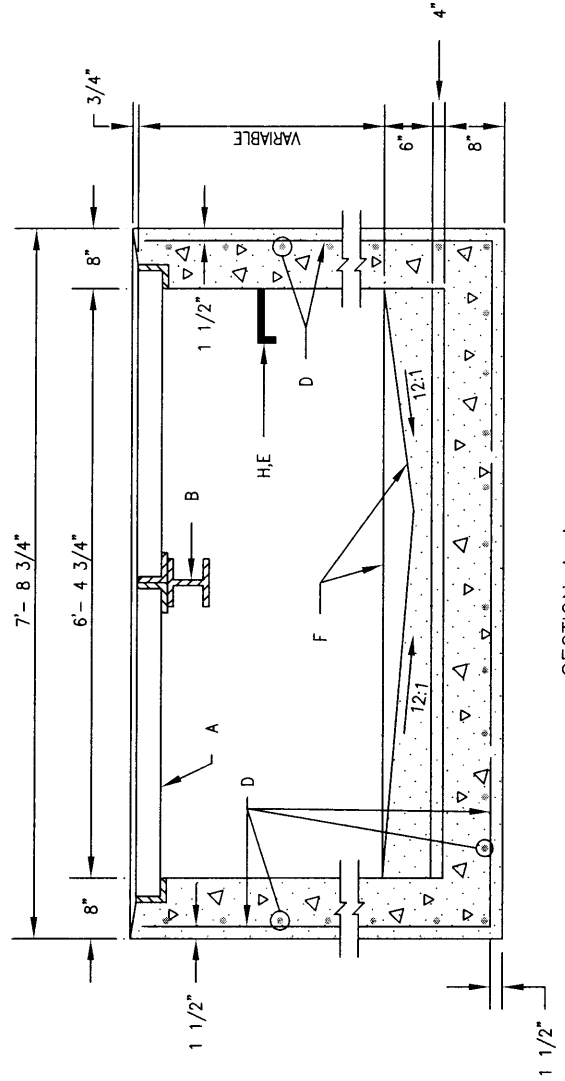
- A. FRAME & GRATE.
- B. CENTER SUPPORT ASSEMBLY.
- C. CUT ONE HORIZONTAL AND ONE VERTICAL BAR MAX. AT PIPE OPENING.
- D. NO. 4 BARS AT 6" O.C. EACH WAY.
- E. USE STANDARD STEPS, SEE DWG. 2229.
- F. CONC. FILL, SEE NOTE C DWG. 2201.
- G. INVERT PER DESIGN.
- H. INSTALL STEPS ON DOWNSTREAM FACE.



SECTION B-B



PLAN



SECTION A-A

REVISIONS

NM APWA

DRAINAGE

STORM INLET DOUBLE "D"

DWG. 2206

FEB. 2006