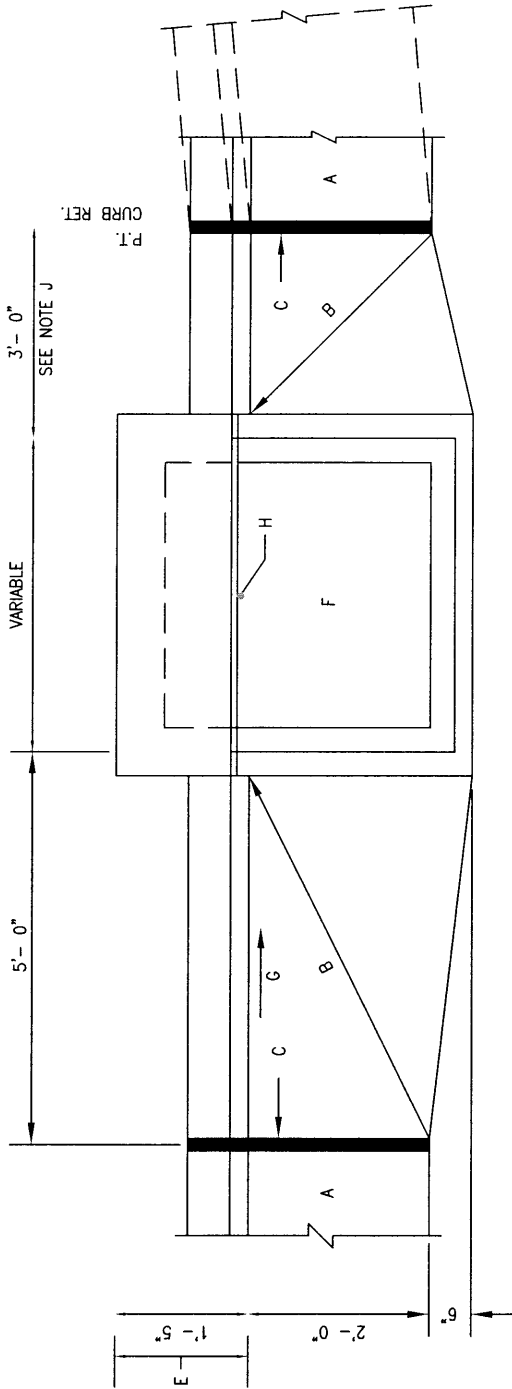


GENERAL NOTES:

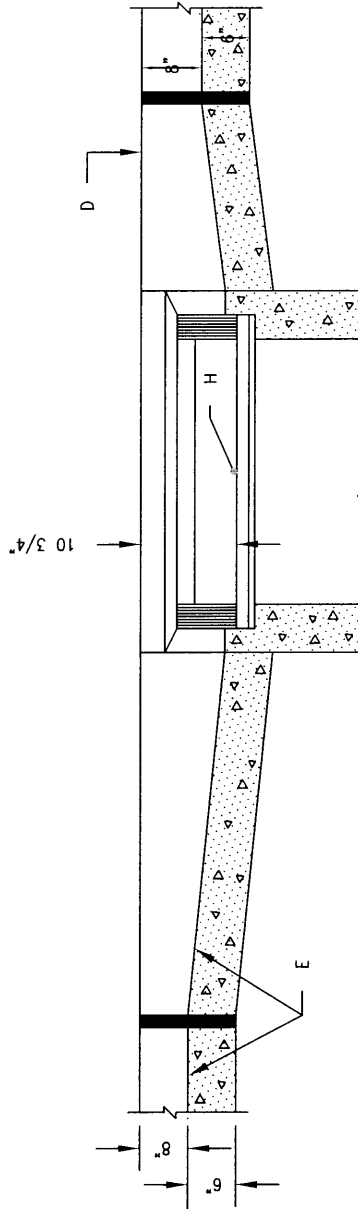
1. DETAILS FOR PLACING CATCH BASINS.  
STANDARD CURB AND GUTTER.

CONSTRUCTION NOTES:

- A. STANDARD CURB AND GUTTER.
- B. STRAIGHT GRADE.
- C. EXPANSION JOINT.
- D. TOP OF CURB.
- E. FLOWLINE.
- F. FOR FRAME & GRATE SEE DWG. 2216, 2220 & 2221.
- G. DIRECTION OF FLOW.
- H. POINT OF MEASUREMENT FOR TOP OF GRATE ELEVATION
- J. PROVIDE 5 FEET TRANSITION EACH SIDE OF CATCH BASIN, WHEN INSTALLING AT SAG POINT IN INSTALLATIONS OTHER THAN AT CURB RETURN.



PLAN



LONGITUDINAL SECTION  
ALONG FLOWLINE

REVISIONS

NM APWA

DRAINAGE  
STORM INLET  
GUTTER TRANSITION

DWG. 2207

FEB. 2006