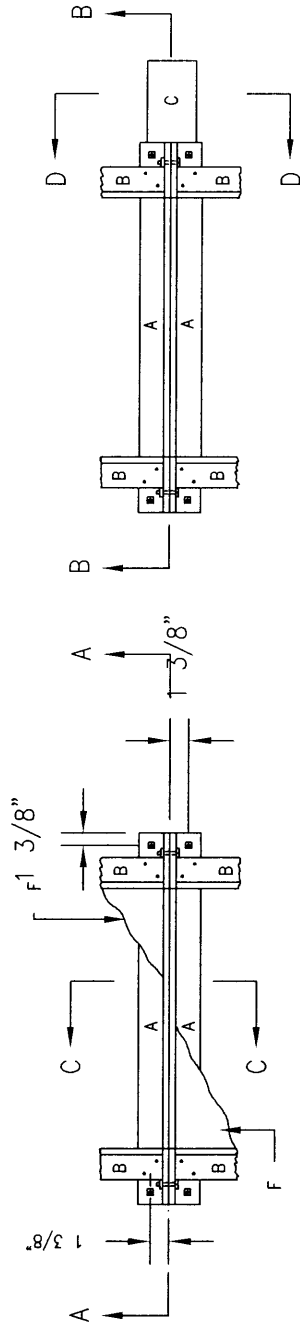


GENERAL NOTES:

1. ALL BOLTS USED IN CENTER SUPPORT ASSEMBLY SHALL BE 1/2".
2. FRAME MAY BE RIVETED OR WELDED.
3. BOLTS (NOT RIVETS OR WELDS) SHALL BE USED TO JOIN TWO OR MORE FRAMES TOGETHER AND TO THE WF BEAM.
4. AFTER CLEANING SURFACE OF SCALE, RUST, ETC., GRATING, FRAME AND CENTER SUPPORT SHALL BE PAINTED WITH ONE SHOP COAT RED OXIDE, TWO FINISH COATS ALUMINUM PAINT (AASHTO M 69).
5. FOR SINGLE TYPE CATCH BASIN, MOVE ONE END WALL TO FORM NEW SINGLE GRATE CATCH BASIN.

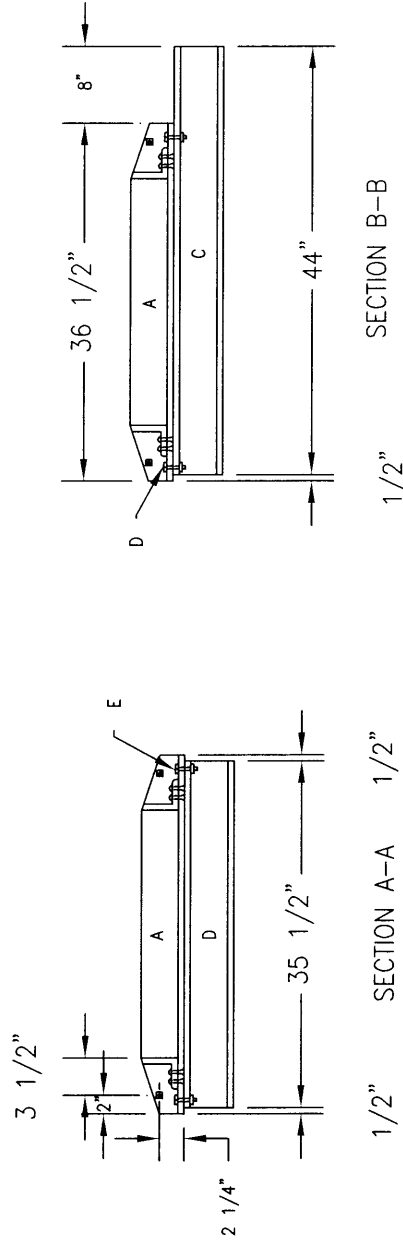


PLAN
ASSEMBLY FOR DOUBLE "D" CATCH BASIN

PLAN
ASSEMBLY FOR DOUBLE "C" CATCH BASIN

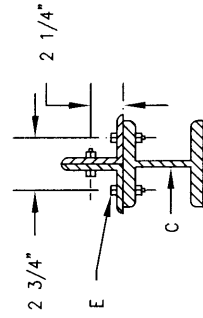
CONSTRUCTION NOTES:

- A. 4" X 3" X 1/2" X 36 1/2" \angle
- B. 3 1/2" X 3" X 3/8" X 40 3/8" \angle
- C. 5 X 5 WF 18.5 FLANGE BEAM, FOR CATCH BASIN TYPE DOUBLE "C".
- D. 5 X 5 WF 18.5 FLANGE BEAM, FOR CATCH BASIN TYPE DOUBLE "D".
- E. 1/2" BOLTS, WITH NUTS TO SECURE ANGLE TO BEAM.
- F. FOR FRAME & GRATE SEE DWGS. 2216, 2220, 2221.

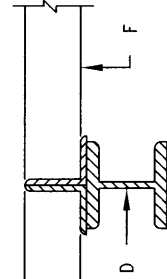


SECTION A-A 1/2"

SECTION B-B



SECTION D-D



SECTION C-C

REVISIONS	NM APWA
	DRAINAGE STORM INLET CENTER SUPPORT ASSEMBLY
	DWG. 2215
	FEB. 2006