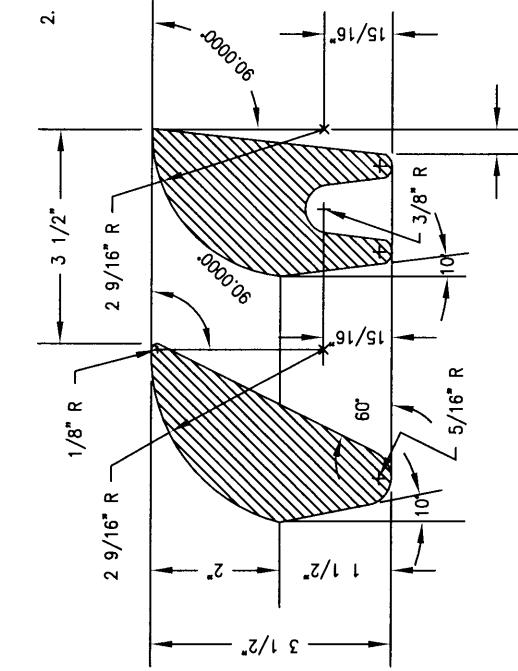
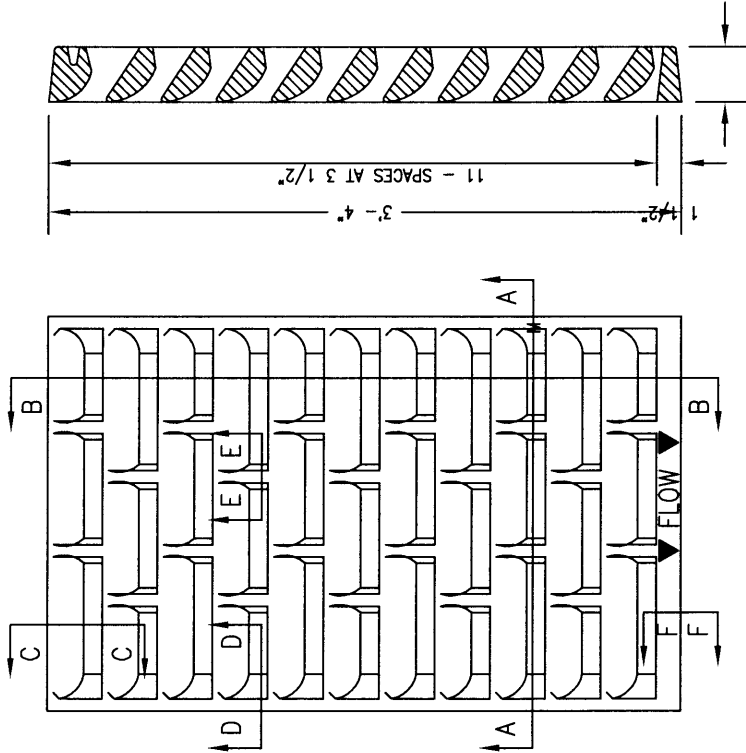


GENERAL NOTES:

1. GRATE SHALL BE CONSTRUCTED OF CAST GRAY IRON PER ASTM A 48, CLASS 35 B.
2. ALL DIMENSIONS ARE FINISH DIMENSIONS.

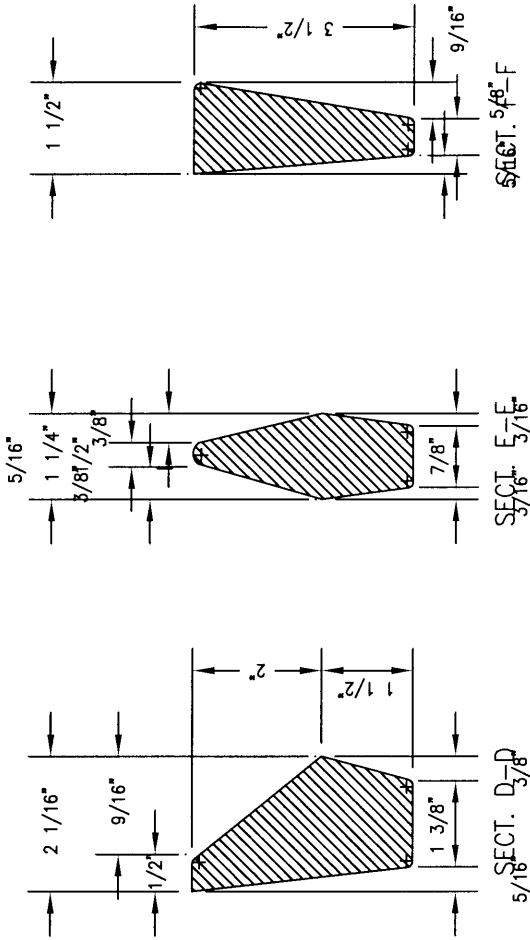


SECTION B-B



SECTION A-A

SECTION C-C



REVISIONS

NM APWA

DRAINAGE
STORM INLET
ALTERNATE GRATE

DWG. 2221

FEB. 2006