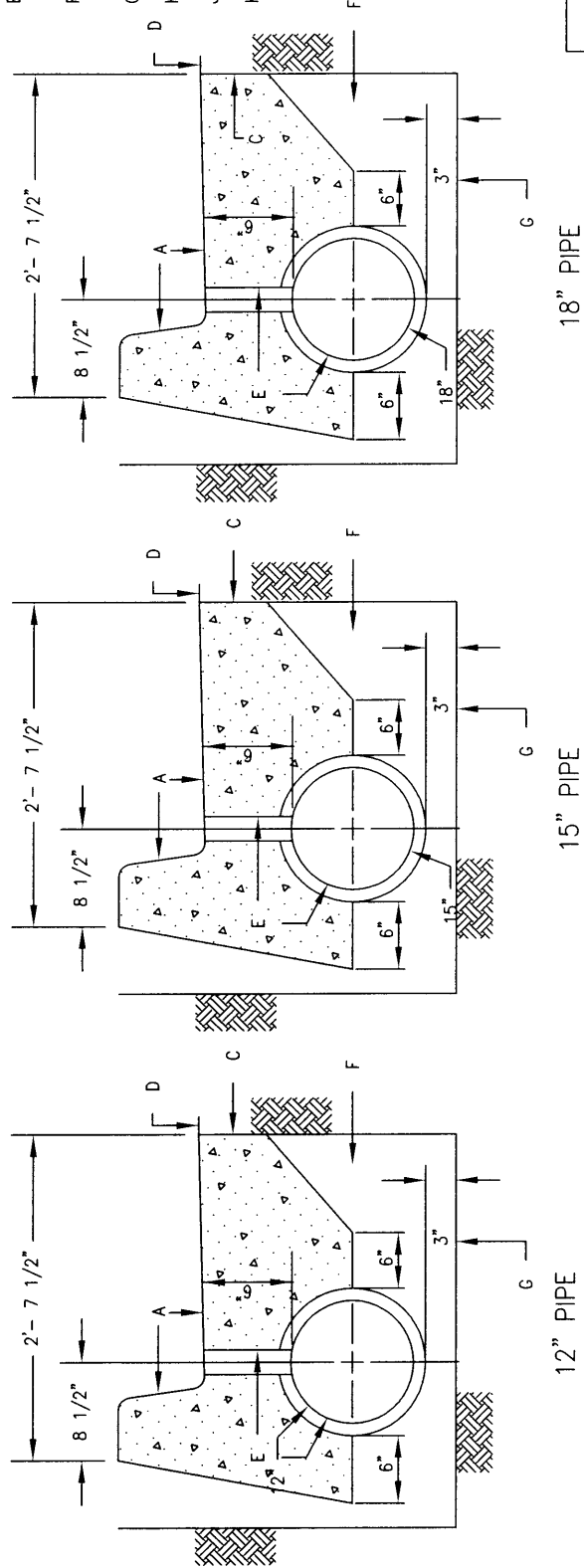
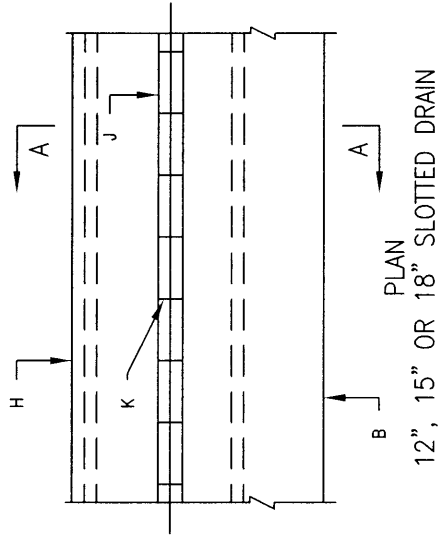
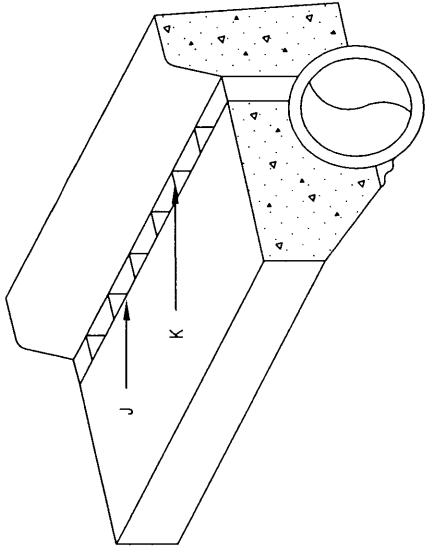


GENERAL NOTES:

1. ALL FITTINGS TO BE COMPATIBLE WITH C.M.P.
2. SPECIAL END CAPS AS (MANUFACTURED BY ARMCO CORP. OR APPROVED EQUAL.) TO BE INSTALLED AT UPSTREAM ENDS OF DRAIN PIPE.
3. GRATE OPENING TO BE BLOCKED DURING CONSTRUCTION TO PREVENT DEBRIS FROM ENTERING DRAIN.

CONSTRUCTION NOTES:

- A. SURFACE CONFIGURATION TO CONFORM WITH STANDARD CURB & GUTTER.
- B. TOE OF GUTTER.
- C. STANDARD CITY CURB & GUTTER AS SPECIFIED ON PLANS.
- D. PAVEMENT.
- E. SLOTTED DRAIN AS MANUFACTURED BY ARMCO CORP. OR APPROVED EQUAL.
- F. SUB BASE MATERIAL COMPACTED 95% MODIFIED PROCTOR.
- G. UNDISTURBED EARTH.
- H. BACK OF CURB.
- J. GRATE AT FLOW LINE.
- K. SOLID WEB SPACERS AT 6" O.C.



SECTIONS A-A

REVISIONS

NM APWA

DRAINAGE
SLOTTED DRAIN

DWG. 2225

FEB. 2006