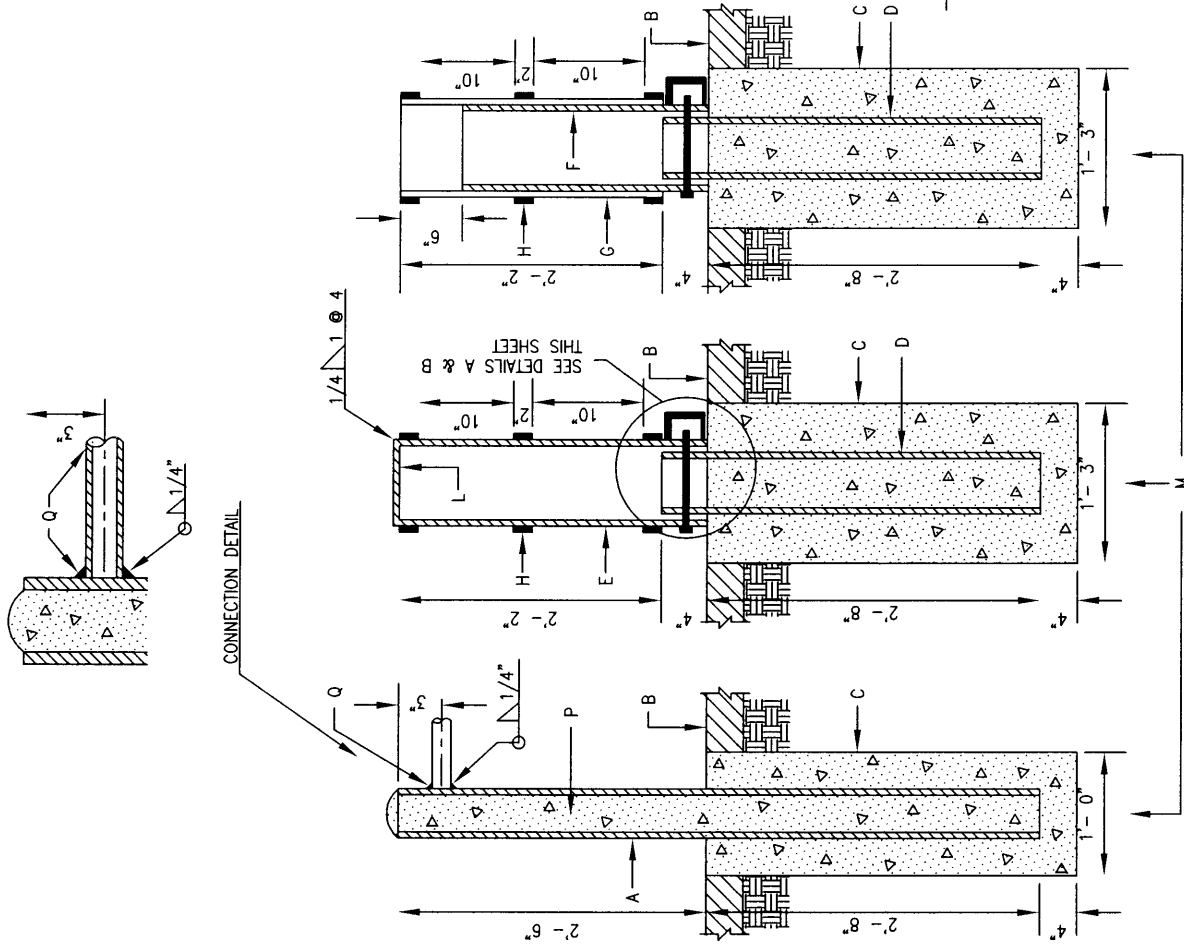
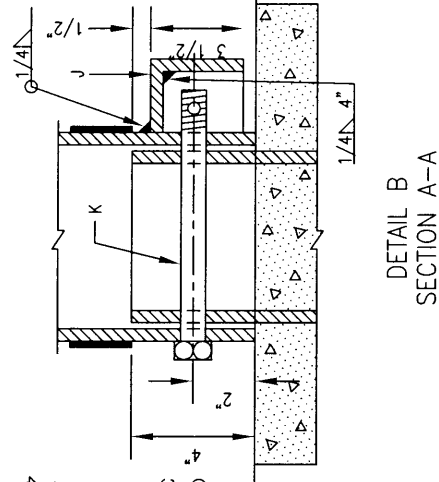
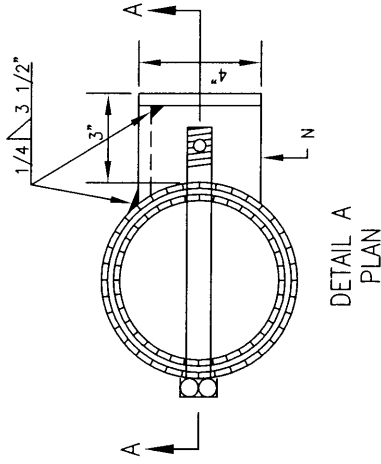


**GENERAL NOTES:**

1. FOR SLEEVE, USE GATES NO. 37 W WATER HOSE, DISCHARGE HOSE OR EQUIVALENT. I.D. 6.625" O.D. 7.29", 6 PLY WITH BLACK NEOPRENE COVER.
2. WELDS ARE TO BE GROUND SMOOTH.
3. EXPOSED STEEL AND SLEEVE TO BE PAINTED WITH AN OIL BASE ALKYD PRIMER AND AN OIL BASE ALKYD ENAMEL TOP COAT. COLOR TO BE BRIGHT YELLOW.

**CONSTRUCTION NOTES:**

- A. 4" NOMINAL DIA. SCHEDULE 40 GALV. STEEL PIPE. 5'-2" TO BE FILLED W/CONC. PAINT PIPE BRIGHT YELLOW ABOVE FINISHED GRADE.
- B. PAVEMENT OR FINISHED GRADE.
- C. CONC. COLLAR, 3000 PSI AT 28 DAYS, W/SMOOTH OR BROOM FINISH WHERE PAVEMENT IS ADJACENT.
- D. 5" NOMINAL DIA. SCHEDULE 40 GALV. STEEL PIPE, 3'-0" TO BE FILLED W/CONC. TO LEVEL SHOWN.
- E. 6" NOMINAL DIA. SCHEDULE 40 GALV. STEEL PIPE, 2'-8" PAINT PIPE BRIGHT YELLOW (REMOVABLE).
- F. 6" NOMINAL DIA. SCHEDULE 40 GALV. STEEL PIPE, 2'-0" (REMOVABLE).
- G. SLEEVE, 2'-2" PAINT BRIGHT YELLOW, SEE NOTE NO. 1 THIS SHEET.
- H. 2" WIDE REFLECTIVE TAPE, AS APPROVED BY ENGINEER, LOCATE AROUND PIPE AS SHOWN.
- J. 1/4" THICK STEEL SAFETY GUARD BOX. OPEN ON ONE SIDE & BOTTOM. WELD ALL SEAMS.
- K. 3/4" X 8" GALV. HEX. BOLT W/A 3/8" DIA. HOLE FOR PADLOCK. (PADLOCK FURNISHED BY CITY).
- L. 1/4" X 6 5/8" DIA. GALV. STEEL PLATE COVER, WELDED TO PIPE.
- M. PLACEMENT OF POSTS SHOULD BE WELL AWAY FROM TRAFFIC ON MAJOR ROADWAYS & PREFERABLY AT THE R.O.W. LINE. TRAFFIC ENGINEERING SHOULD BE CONSULTED ON LOCATION WHEN NEAR TRAFFIC.
- N. ALIGN WITH TRAFFIC FLOW IN EASEMENTS OR BIKEPATH TO AVOID TRIPPING HAZARDS WITH BOX.
- P. PIPES ARE NOT TO BE FILLED W/CONC. WHEN PIPES ARE LOCATED WITHIN 15' OF STREET FLOWLINE. USE WELDED STEEL CAP INSTEAD.
- Q. WHEN CONNECTING BOLLARDS ARE SPECIFIED, WELD 1 1/4" NOM., SCH. 40 PIPE BETWEEN BOLLARDS.



STATIONARY POST

REMOVABLE POST

REMOVABLE POST WITH RUBBER SLEEVE

REVISIONS

NM APWA

DRAINAGE  
STATIONARY & REMOVABLE  
POST DETAILS

DWG. 2250

FEB. 2006