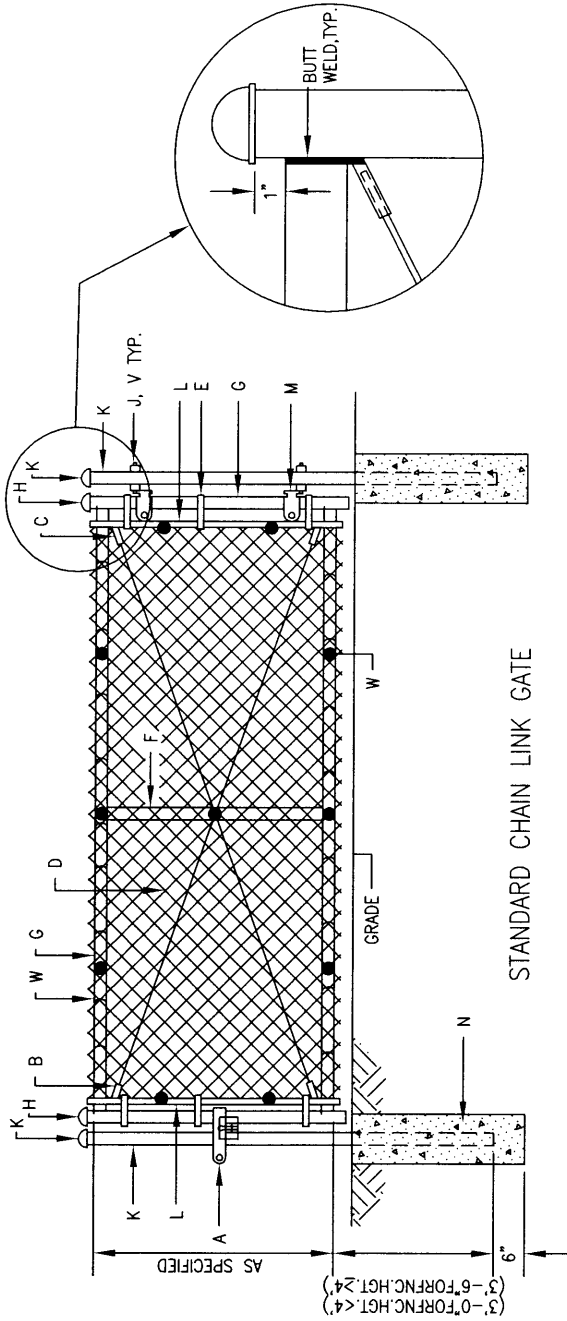


GENERAL NOTES:

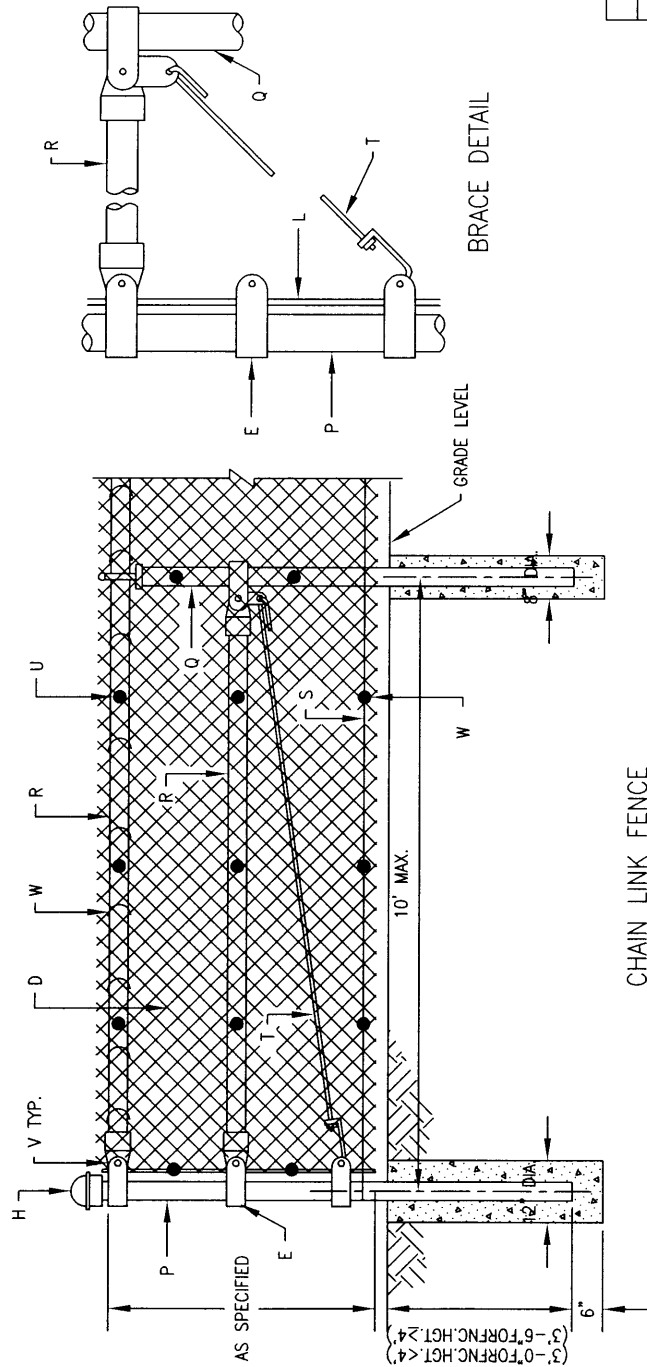
1. GATE TO BE USED AS SPECIFIED ON CONSTRUCTION DRAWINGS FOR DRAINAGE EASEMENT BARRICADE, SEE DWG. 2251 OR DWG. 2253.
2. SINGLE LEAF GATES WILL BE USED ON OPENINGS OF 12' OR LESS. FOR MORE THAN 12', DOUBLE LEAF GATES SHALL BE USED, WITH A CENTER LOCK POST INSERTED IN A PIPE SLEEVE IN CENTER OF OPENING.
3. DIMENSIONS ABOVE OR BELOW GRADE LEVEL WILL BE ON CONSTRUCTION DRAWINGS. IF NONE ARE NOTED, MESH IS FLUSH WITH GRADE LEVEL.
4. ALL METAL ITEMS, INCLUDING PIPE, SHALL BE GALV. STEEL. ALL PIPE SHALL BE NOMINAL SIZE, SCH. 40.

CONSTRUCTION NOTES:

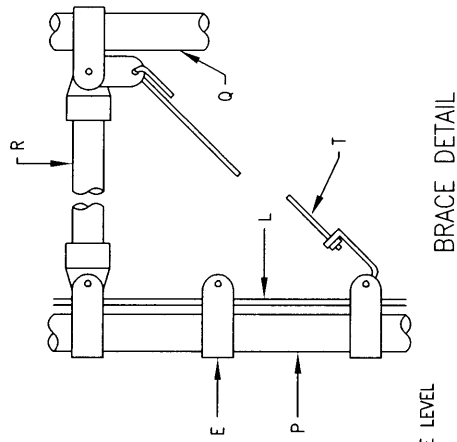
- A. GATE LATCH WITH VANDAL PROOF SHIELD & PADLOCK (PADLOCK TO BE FURNISHED BY THE OWNER).
- B. 2- 3/8" TRUSS RODS, WELDED AT CORNERS.
- C. 2- 3/8" THREADED TRUSS RODS AND BRACKET ATTACHMENT.
- D. 2" NO. 9 GAUGE CHAIN LINK GALV. WIRE FABRIC.
- E. STEEL TENSION BANDS AT 18" OR LESS O.C.
- F. BRACE, 1 1/4" DIA., WELDED TO FRAME.
- G. GATE FRAME, 2" DIA. (2.375 O.D.) WELDED.
- H. MALLEABLE ACORN CAP.
- J. 4" J-BOLT, THREADED.
- K. 3 1/2" GATE POST (4" O.D.) WITH WELDED STEEL CAP.
- L. TENSION BAR 1/4" X 3/4".
- M. GATE CLAMP.
- N. 12" DIA. HOLES, FILLED WITH PORTLAND CEMENT CONC.
- P. CORNER POST 2 1/2" DIA. (2.875 O.D.).
- Q. LINE POST 2" DIA. (2.375 O.D.).
- R. TOP AND BRACE RAILS 1 1/4" DIA. (1.660 O.D.) WIRE REINFORCEMENT, 9 GAUGE, INSTALL 3" ABOVE BOTTOM OF FABRIC.
- T. TRUSS ROD 3/8" DIA.
- U. FABRIC SHALL BE TACK WELDED TWO PLACES TO EACH TENSION BAR AND THREE PLACES TO ALL TOP AND BRACE RAILS BETWEEN POSTS.
- V. ALL NUTS, BOLTS, AND OTHER CONNECTIONS SHALL BE TACK WELDED.
- W. WIRE TIES, 9 GA. GALV. STEEL AT 18" O.C.



STANDARD CHAIN LINK GATE



CHAIN LINK FENCE



BRACE DETAIL

REVISIONS

NM APWA

DRAINAGE
STANDARD CHAIN LINK GATE
AND FENCE DETAILS

DWG. 2252

FEB. 2006