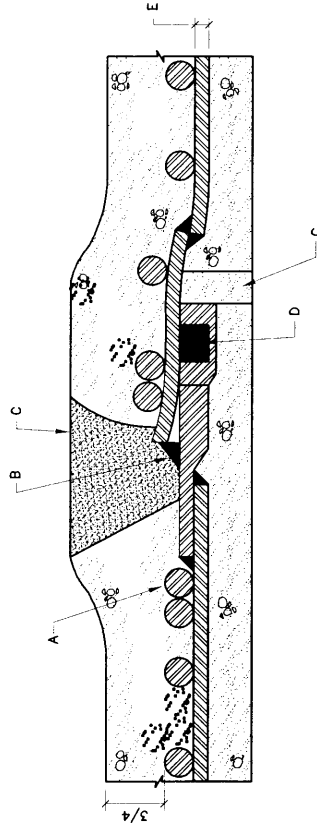


**GENERAL NOTES:**

- 1 SEE PLAN AND PROFILE SHEETS FOR LENGTH IN FEET OF RIGID PIPE ON EITHER SIDE OF BEND.
- 2 CARE MUST BE EXERCISED NOT TO OVERHEAT RUBBER GASKET WHEN WELDING.

**CONSTRUCTION NOTES:**

- A COMPLETE COIL PARALLEL TO END OF PIPE.
- B FIELD WELD, CONTINUOUS.
- C FIELD-APPLIED CEMENT MORTAR COATING.
- D RUBBER GASKET.
- E STEEL CYLINDER PORTION OF PIPE.



REVISIONS	NM APWA
	WATER CONCRETE CYLINDER PIPE RIGID JOINT DETAIL DMC. 2305 FEB. 2006