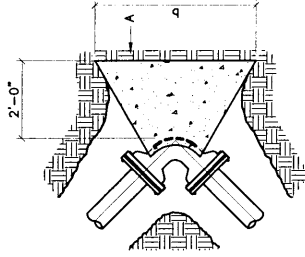
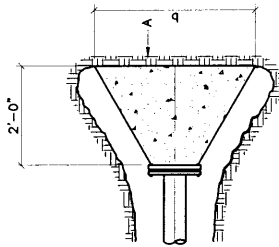


GENERAL NOTES:

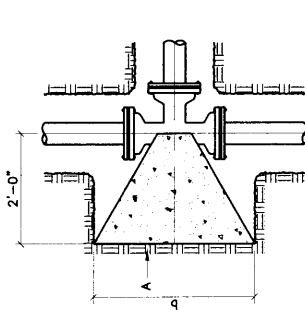
- 1 ALL THRUST CONTROL BY RESTRAINED JOINTS ONLY UNLESS DIRECTED BY ENGINEER.
- 2 PIPE SIZE GREATER THAN 14" REQUIRES DESIGN BY ENGINEER TO BE SUBMITTED TO THE ENGINEER FOR APPROVAL.
- 3 CONCRETE BLOCKING PER SEC. 101 EXTERIOR CONCRETE, $f_c = 3500$ psi \bullet 28 DAYS.



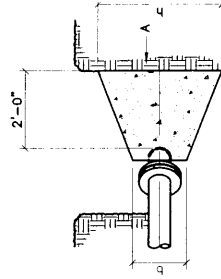
PLAN



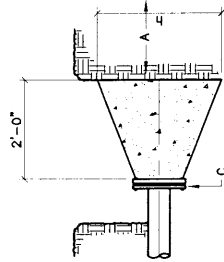
PLAN



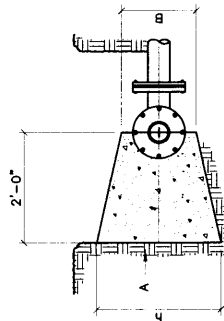
PLAN



ELEVATION
CONCRETE BLOCKING
FOR ELBOW



ELEVATION
CONCRETE BLOCKING
FOR PLUG OR CAP



ELEVATION
CONCRETE BLOCKING
FOR TEE

PIPE SIZE	ELBOW ANGLE	ELBOW (b) DIM.	ELBOW (h) DIM.	TEE OR PLUG (b) DIM.	TEE OR PLUG (h) DIM.
4"	90° 45°	2'	2'	2'	1'
4"	22 1/2° / 11 1/4°	2'	2'		
6"				2'	2'
6"	90° 45°	2'	2'		
6"	22 1/2° / 11 1/4°	2'	2'		
8"				3'	3'
8"	90°	3'	3'		
8"	45°	2'	2'		
8"	22 1/2° / 11 1/4°	2'	2'		
10"				3'	3'
10"	90°	3'-6"	3'-6"		
10"	45°	3'	3'		
10"	22 1/2° / 11 1/4°	2'	2'		
12"				3'-6"	3'-6"
12"	90°	4'	4'		
12"	45°	3'-6"	3'-6"		
12"	22 1/2° / 11 1/4°	2'	2'		
14"				4'	4'
14"	90°	5'	5'		
14"	45°	3'-6"	3'-6"		
14"	22 1/2° / 11 1/4°	3'	3'		

CONSTRUCTION NOTES:

- A UNDISTURBED EARTH.
- B O.D. OF PIPE + 8".
- C O.D. OF CAP OR PLUG, MIN. 12"x12".

REVISIONS	NM APWA WATER CONCRETE BLOCKING DESIGN
	DWG. 2320 FEB. 2006