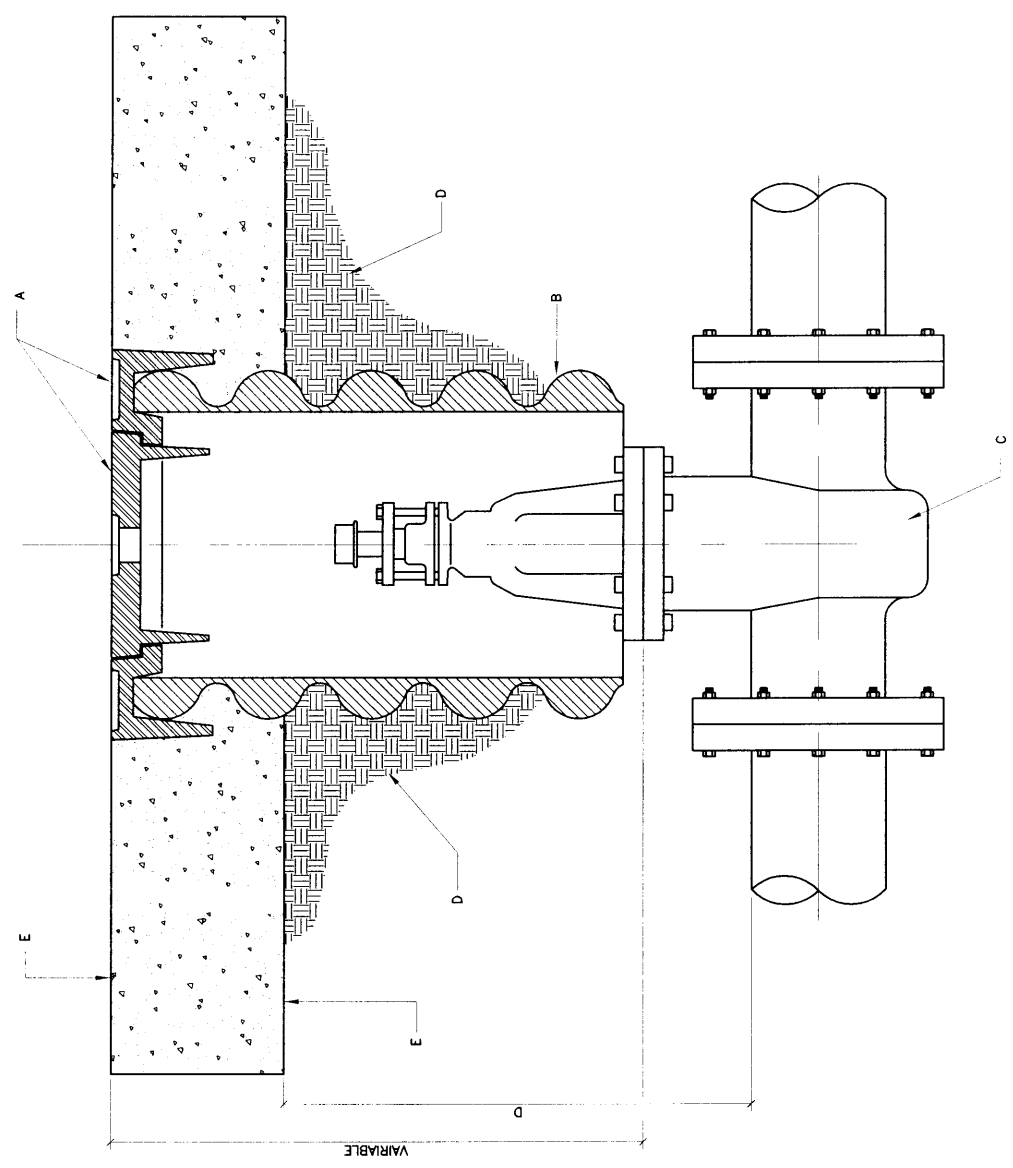


**GENERAL NOTES:**

- A VALVE BOX RING AND COVER PER STD. DWG. 232B.
- B 10" DIAMETER RIBBED OR CORRUGATED PVC OR PE PIPE WITH SMOOTH INTERIOR (C-900).
- C NEW OR EXISTING VALVE.
- D COMPACTED BACKFILL, SOIL OR BASE COURSE MATERIAL (95% COMPACTION). SEE SECTION 701.
- E CONCRETE COLLAR PER STD. DWG. 2461.
- F TOP OF CONCRETE COLLAR SHALL BE STAMPED WITH LINE SIZE AND DIRECTION. MINIMUM LETTER SIZE SHALL BE 3" IN HEIGHT.
- G MIN. 6" OR MATCH EXISTING.



LINE SIZE, SEE NOTE F

LINE DIRECTION, SEE NOTE F

E

**LABEL REQUIREMENTS**

REVISIONS	NM APWA
	WATER VALVE BOX
DWG. 2326	FEB. 2006