

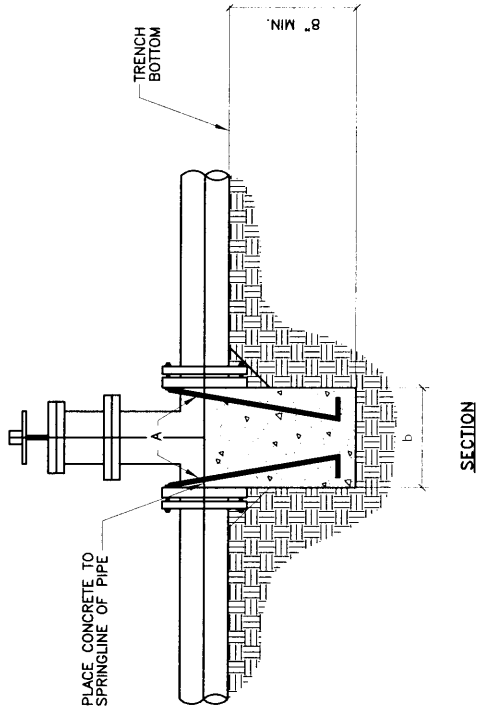
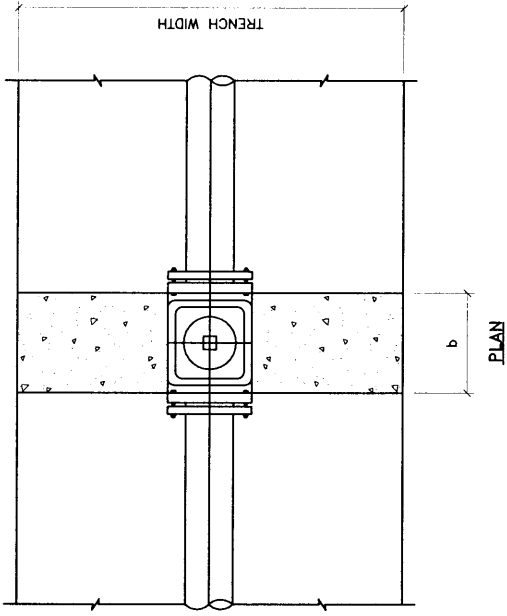
GENERAL NOTES:

- 1 THE ENGINEER SHALL PROVIDE DESIGN FOR ALL VALVES GREATER THAN 12".
- 2 ALL THRUST CONTROL BY RESTRAINED JOINTS ONLY UNLESS OTHERWISE DIRECTED BY ENGINEER.
- 3 USE FOR VALVE INSERTION INTO EXISTING LINES ONLY.
- 4 CONCRETE USED FOR VALVE ANCHORAGE PER SEC. 101 HYDRAULIC STRUCTURAL CONCRETE, $f'c=4000$ psi. ● 28 DAYS.

CONSTRUCTION NOTES:

- A TWO NO. 4 BARS FOR VALVE STRAPS WITH 3" HOOKS. HOOKS TO BE EMBEDDED BELOW BOTTOM OF PIPE. BARS TO BE COATED WITH BITUMINOUS MATERIAL TO PREVENT CORROSION.

PIPE SIZE	DIM b
6"	8"
8"	9"
10"	10"
12"	10"



REVISIONS	NM APWA
	WATER
	WATER VALVE INSERTION ANCHORAGE
	DWG. 2333
	FEB. 2006