

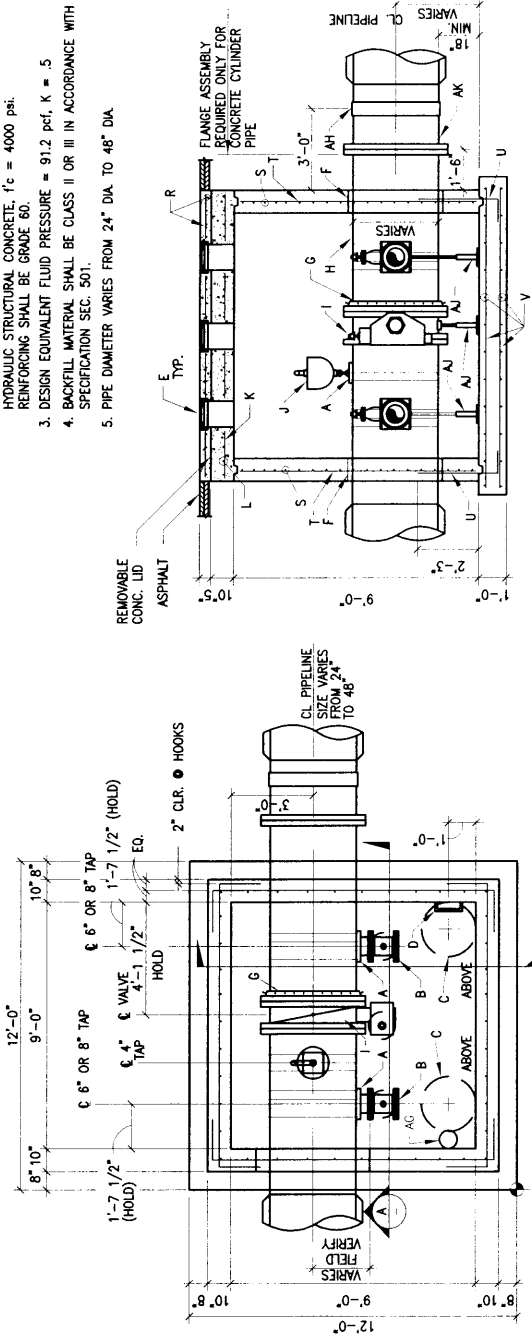
GENERAL NOTES:

1. VALVE VAULT SHALL NOT BE USED IN GROUND WATER CONDITIONS OR IN CLAY SOILS.
2. CONCRETE SHALL MEET SPECIFICATION SEC. 510 AND SEC. 101 HYDRAULIC STRUCTURAL CONCRETE. $f_c = 4000$ psi. REINFORCING SHALL BE GRADE 60.
3. DESIGN EQUIVALENT FLUID PRESSURE = 91.2 psf, $K = .5$
4. BACKFILL MATERIAL SHALL BE CLASS II OR III IN ACCORDANCE WITH SPECIFICATION SEC. 501.
5. PIPE DIAMETER VARIES FROM 24" DIA. TO 48" DIA.

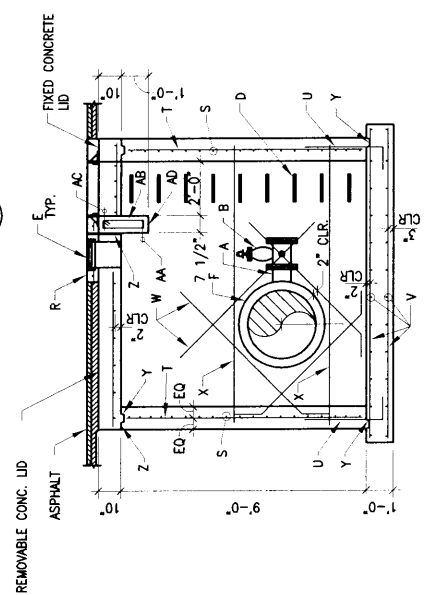
6. PIPELINE CENTERLINE IN THE HORIZONTAL PLANE IS FIXED. ASSOCIATED VALVE BOXES ADJUST IN LOCATION DUE TO PIPE SIZE. FIELD VERIFY THESE MEASUREMENTS.
7. PIPELINE VERTICAL CENTERLINE IS ADJUSTABLE WITH THE MINIMUM OF 18" BELOW PIPELINE AS THE ONLY LIMIT.
8. HOLD CENTERLINE OF TAP LOCATIONS AND CENTER OF BUTTERFLY VALVE.

CONSTRUCTION NOTES:

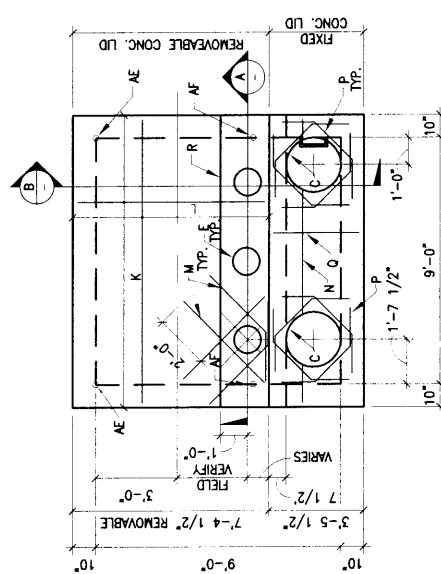
- A TAPPING SADDLE (D.I.P. OR C.C.P.) OR FLANGED OUTLETS (C.C.P.).
- B 6" GATE VALVE WITH BLIND FLANGE (24" TO 30").
- B' 8" GATE VALVE WITH BLIND FLANGE (36" TO 48").
- C 2'-0" DIA. MANHOLE FRAME & COVER. COVER MARKED "WATER".
- D MANHOLE STEPS PER SPEC. SECTION 920.4.7
- E VALVE BOX, RING & COVER PER DWG. 2328.
- F LINK SEAL OR EQUAL.
- G "MEGA-FLANGE" ADAPTER, EBMA OR EQUAL.
- H DUCTILE IRON PIPE (FLAPE).
- I AWWA C504 BUTTERFLY VALVE (FL).
- J 2" COMBINATION AIR AND VACUUM VALVE W/ ISOLATION VALVE.
- K #8 @ 7 1/2" O.C. x 10'-4". ADD BAR EACH SIDE OF OPENING.
- L #6 @ 6" O.C. x 7'-0" 1/2". ADD BAR EACH SIDE OF OPENING.
- M 4-#5 DIAGONALS AT EACH OPENING.
- N #5 @ 12" O.C. x 3'-1 1/2". FIELD CUT AT OPENINGS.
- O #5 @ 12" O.C. x 10'-4". FIELD CUT AT OPENINGS.
- P #5 DIAGONALS 6'-0". BEND AS REQUIRED.
- Q #5 @ 12" O.C. x 3'-1 1/2". FIELD CUT AT OPENINGS.
- R 5" CONCRETE TOPPING SLAB WITH #4 @ 6" O.C. EACH WAY. SPREAD 8" AS OPENINGS.
- S #5 @ 6" O.C. HORIZ. x 10'-4" WITH 10" HOOKS EACH END.
- T #4 @ 12" O.C. VERT. x 8'-10".
- U #5 FOOTING DOWELS @ 6" O.C. WITH 10" HOOK.
- V #6 @ 6" O.C. x 11'-8" EACH WAY TOP & BOTTOM.
- W 2-#5 DIAGONALS 7'-0". BEND AS REQUIRED. (6 TOTAL EACH WALL)
- X 2-#8 @ 10'-4" TOP & BOT. OF PIPE. PLACE OUTSIDE OF DIAGONALS.
- Y 2x4 KEY TYPICAL.
- Z 30# FELT MASTIC
- AA 2-#9 x 10'-4"
- AB #4 TIES @ 5 1/2" O.C. 1st TIE 1 3/4" FROM FACE OF WALL.
- AC 2-#5 x 10'-4"
- AD BLOCK OUT WALL FOR BEAM
- AE COIL INSERT WITH 800# CAPACITY EACH. PROVIDE GREASED BOLT AND ASPHALT DRYER CONNECTION. PROVIDE SINGLE SWIVEL LIFT PLATES. WIRE TIE TO BOTTOM LADDER RING.
- AF PROVIDE COIL INSERT "AE" ABOVE IN 10" SLAB. PROVIDE PVC POCKET THROUGH 5" TOPPING SLAB. INSERT BOLT & FILL WITH ASPHALT.
- AG 8" HOLE WITH GRAVEL FILL. PROVIDE 1/2" C.Y. GRAVEL FILL BELOW FOUNDATION.
- AH BUTT STRAP TYP.
- AJ ADJUSTABLE PIPE SUPPORT.
- AK STEEL PIPE (FLAPE). COAT ALL EXPOSED STEEL SURFACES WITH BITUMASTIC COATING.



PLAN



SECTION A-A



SECTION B-B

REMOVABLE LID PLAN

REVISIONS	NM APWA
	WATER
	LARGE DIAMETER VALVE VAULT
DWG. 2334	

VAULT ORIENTATION ON CONSTRUCTION DRAWINGS