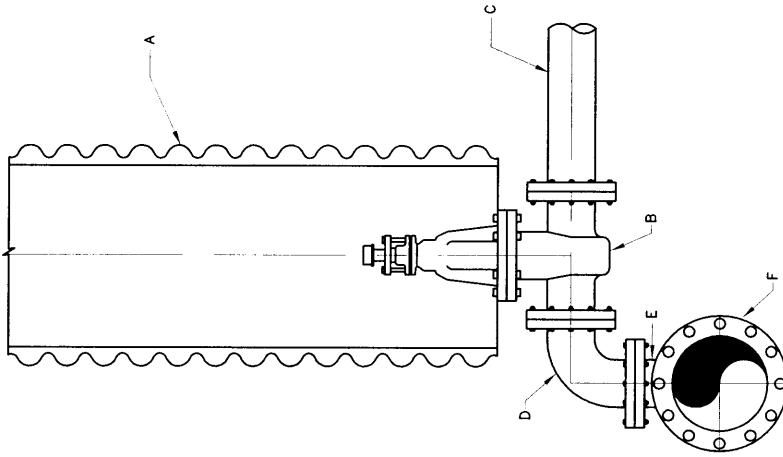


GENERAL NOTES:

1 INSTALL AS REQUIRED BY CONSTRUCTION PLANS.

CONSTRUCTION NOTES:

- A VALVE BOX PER STD. DWG. 2326.
- B GATE VALVE FL.- FL.
- C WATER LINE TO AIR RELEASE IN SIDEWALK.
- D C.I./D.I. FL. 90° BEND.
- E FL. OUTLET OR C.I./D.I. TEE.
- F WATER MAIN.



REVISIONS

NM APWA

WATER

AIR RELEASE
CONNECTION

DWG. 2344

FEB. 2006