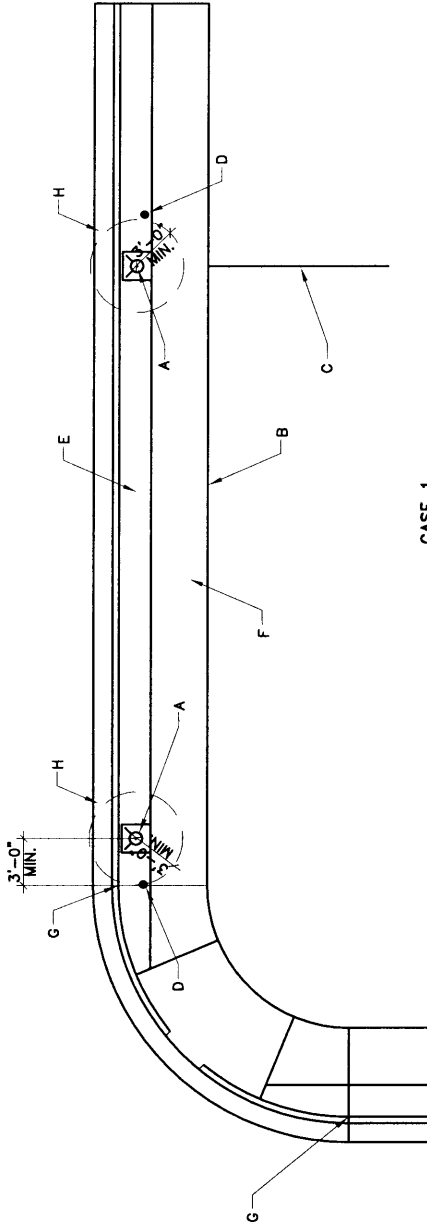


**GENERAL NOTES:**

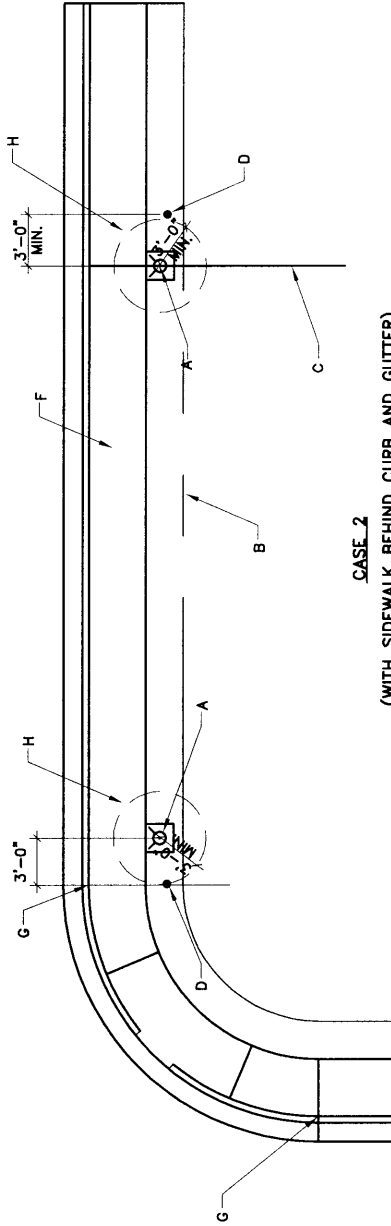
- 1 FIRE HYDRANTS ARE NOT TO BE LOCATED WITHIN THE CURB RETURN AREA. FIRE HYDRANTS LOCATED IN THE MID BLOCK LENGTH SHALL BE CENTERED ON ADJOINING PROPERTY LINES.
- 2 A MINIMUM CLEARANCE OF 3' SHALL BE PROVIDED BETWEEN FIRE HYDRANT AND ANY PERMANENT OBSTRUCTION (UTILITY POLE, LIGHT STANDARD, TRAFFIC SIGNAL, ETC.).
- 3 FOR FIRE HYDRANT INSTALLATION DETAILS SEE DWG. 2340.

**CONSTRUCTION NOTES:**

- A FIRE HYDRANT
- B RIGHT-OF-WAY OR EASEMENT LINE
- C PROPERTY LINE
- D PERMANENT OBSTRUCTION
- E PARKWAY
- F SIDEWALK
- G PC OR PT OF CURB RETURN
- H MAINTAIN A MINIMUM CLEARANCE OF 3' RADIUS FROM CENTER OF HYDRANT TO ANY AND ALL OBSTRUCTIONS.



**CASE 1**  
(WITH PARKWAY BEHIND CURB AND GUTTER)



**CASE 2**  
(WITH SIDEWALK BEHIND CURB AND GUTTER)

REVISIONS	NM APWA
	WATER
	DETAILS ON TYPICAL
	FIRE HYDRANT LOCATIONS
	DWG. 2347
	FEB. 2006