

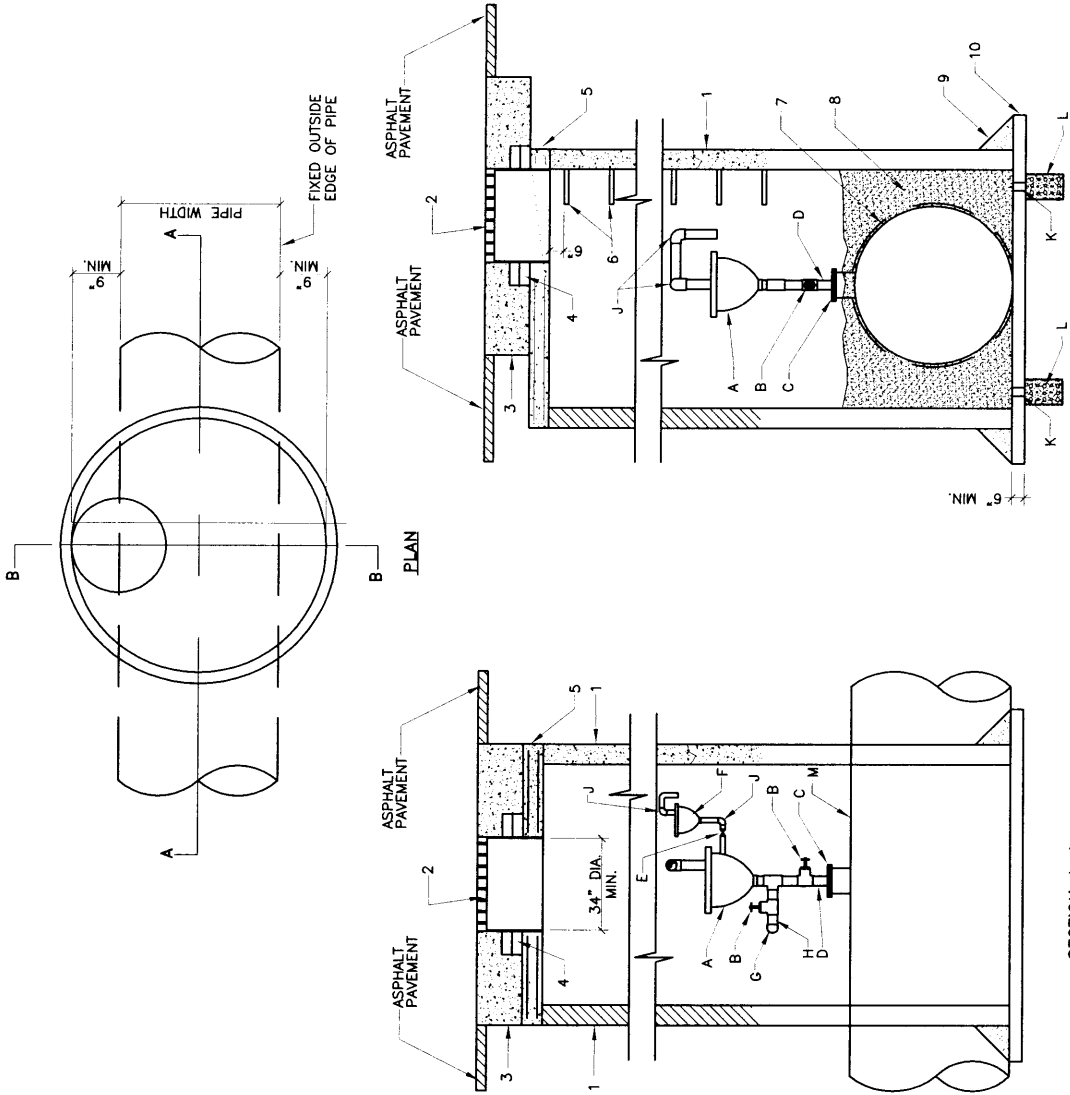
MATERIALS LIST

NOTE: ALL PIPING AND FITTINGS SHALL BE SCH. 40 THREADED GALVANIZED STEEL. SIZE IS DETERMINED BY SPECIFIC AIR/VACUUM RELEASE VALVE TO BE INSTALLED.

- A COMBINATION AIR AND VACUUM RELEASE VALVE, SIZE AS SHOWN ON PLAN.
- B GATE VALVE, SAME SIZE AS COMBINATION AIR AND VACUUM RELEASE VALVE INLET.
- C MINIMUM 6" FLANGE NOZZLE OR FLANGE TAPPING SADDLE. PROVIDE BLIND FLANGE TAPPED FOR THREADED NIPPLE WHERE AIR/VAC VALVE IS SHOWN TO BE LESS THAN 6".
- D CAST IRON NIPPLE.
- E 1" BALL VALVE.
- F 1" AIR RELEASE VALVE.
- G THREADED CAP.
- H THREADED NIPPLE FOR VENT AND HOSE CONNECTION.
- J 90° ELBOW.
- K 4" DIA. SCHEDULE 40 PVC PIPE SLEEVE THROUGH MANHOLE BASE.
- L 12"x12"x18" DEEP 1" CLEAN GRAVEL ASTM C33, NO. 57 GRAVEL.
- M WATER MAIN.

CONSTRUCTION NOTES:

- 1 MANHOLE MAY BE CONSTRUCTED OF CONCRETE BLOCK, GR, MS BRICK, POURED CONCRETE, OR PRECAST REINFORCED CONCRETE. IF BLOCK OR BRICK, PLASTER INSIDE AND OUT WITH 1/2" MORTAR. SEE DWG 2101.
- 2 USE 36" MH FRAME AND COVER. COVER MARKED "WATER".
- 3 CONCRETE COLLAR PER STD. DWG. 2461.
- 4 USE ADJUSTMENT RINGS OR MAX. 2 COURSES GR MS BRICK FOR ADJUSTMENT OF MH FRAME TO PAVEMENT GRADE.
- 5 PRECAST CONCRETE COVER. SEE DWG 2107. EXCEPT OPENING SHALL BE 34" DIAMETER MINIMUM.
- 6 STEPS TO BE INSTALLED PER STD SPEC SEC 920.
- 7 CUT MANHOLE TO PROVIDE A 4" CLEARANCE AROUND WATER MAIN.
- 8 1" CLEAN GRAVEL TO TOP OF MAIN.
- 9 6" GROUT FILLET AROUND BASE
- 10 CONCRETE BASE TO BE POURED IN PLACE USING #4 BARS AT 12" OC EACH WAY.



SECTION A-A

SECTION B-B

REVISIONS	NM APWA
	WATER
	AIR/VACUUM RELEASE VALVE
	DWG. 2350
	FEB. 2006