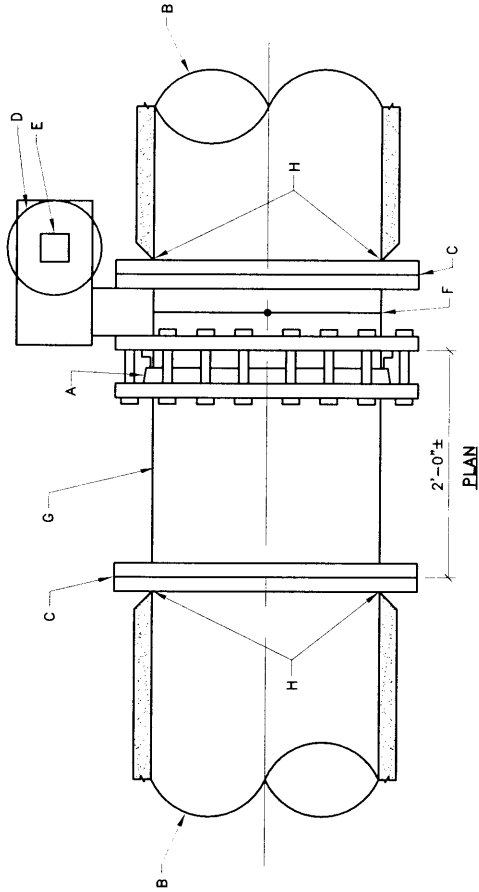


GENERAL NOTES:

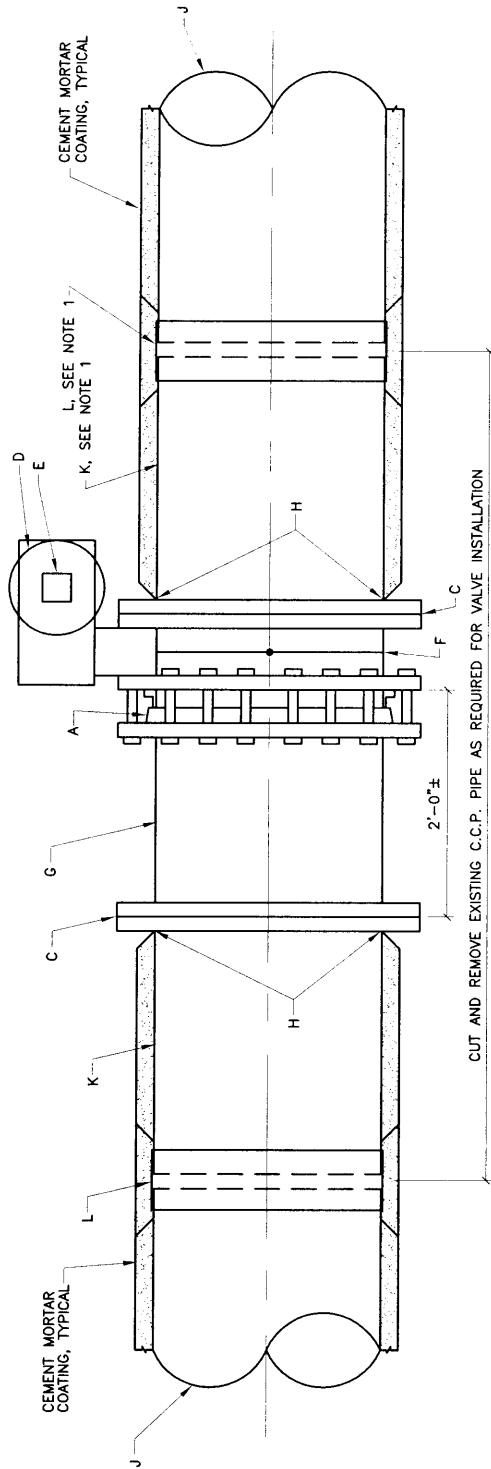
1 2'-0" LONG STEEL SPOOL AND BUTTSTRAP OMITTED IF EXISTING FLANGE EXISTS AT NEW VALVE LOCATION.

CONSTRUCTION NOTES:

- A MEGA FLANGE - FLANGE ADAPTOR, SERIES 2100 AS MANUFACTURED BY EBAA IRON SALES, OR APPROVED EQUAL.
- B MAIN PIPELINE (C.C.P.) WITH FLANGED END.
- C INSULATING FLANGE KIT.
- D VALVE BOX AND COVER PER STD. DWG 2328.
- E 3" SQUARE OPERATING NUT.
- F BUTTERFLY VALVE (FLGxFLG), SIZE AS SHOWN ON DRAWINGS.
- G DUCTILE IRON SPOOL (FLGxPE).
- H COAT ALL EXPOSED STEEL SURFACES WITH BITUMASTIC.
- J EXISTING C.C.P. PIPE.
- K 2'-0" LONG STEEL SPOOL (FLGxPE)
- L BUTTSTRAP.



BUTTERFLY VALVE INSTALLATION DETAIL IN NEW C.C.P. PIPELINE



BUTTERFLY VALVE INSTALLATION DETAIL IN EXISTING C.C.P. PIPELINE

REVISIONS	NM APWA WATER CONC. CYL. BUTTERFLY VALVE INSTALLATION DETAILS DWG. 2351 FEB. 2006
-----------	--