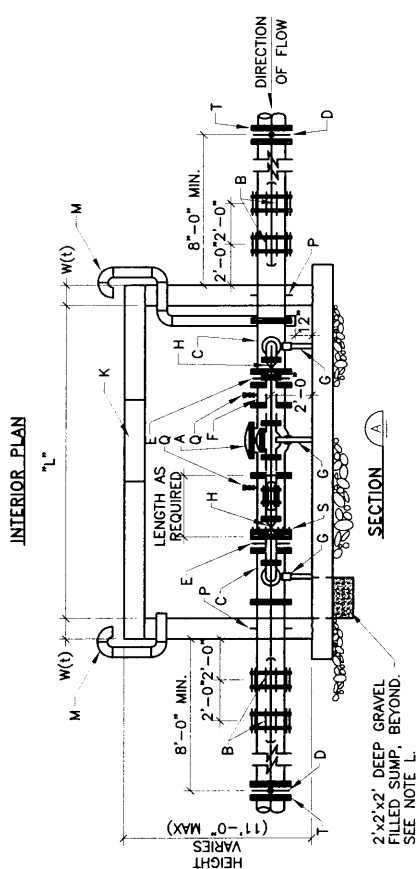
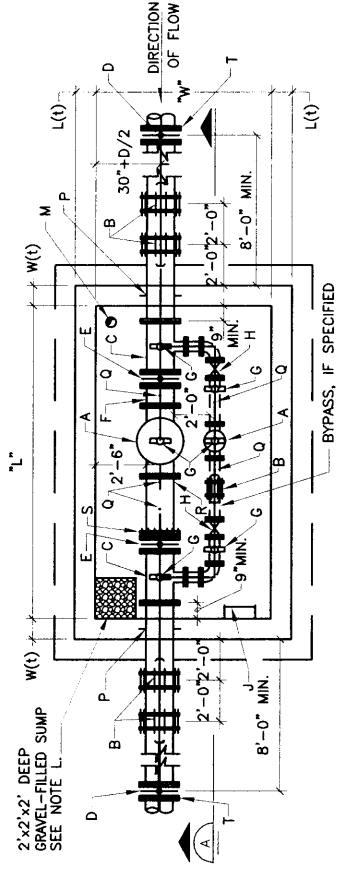
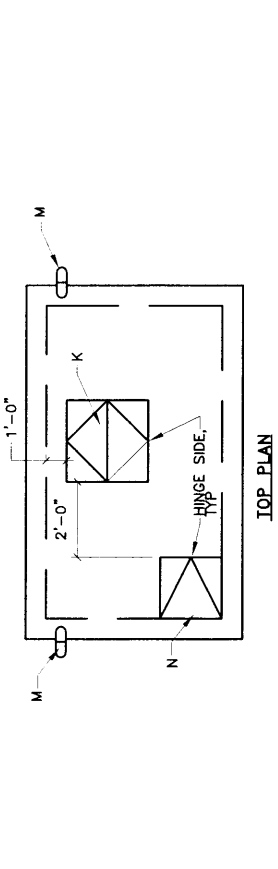


GENERAL NOTES:

1. FOR STRUCTURAL DETAILS, VAULT DIMENSIONS AND REINFORCING SEE STANDARD PRV STATION STRUCTURAL DETAILS DWG. 2357.
- CONSTRUCTION NOTES:**
 1. PRV LOCATION, FINAL DESIGN AND LAYOUT SHALL BE APPROVED BY THE WATER UTILITY DIVISION TO CONFORM WITH SPECIFIC SYSTEM AND SITE REQUIREMENTS.
 2. PRV STATION ACCESS OPENING COVERS, SHOWN ON THIS STANDARD DETAIL ARE SUITABLE FOR LOCATIONS NOT HIGH TRAFFIC AREAS. CENTRAL HIGH TRAFFIC PRV STATIONS MUST BE LOCATED IN AREAS OF CONTINUOUS HIGH TRAFFIC. TRAFFIC LIGHTS, SIGNAGE, AND OTHER DEVICES SHALL BE SPECIFICALLY DESIGNED TO WITHSTAND THE CONDITIONS AND LOADINGS TO BE ENCOUNTERED.
 3. ALUMINUM FLOOR DOORS AND FRAME FOR LOCATIONS SUBJECT TO INTERMITTENT AND LIGHT DENSITY TRAFFIC SHALL BE DESIGNED TO WITHSTAND A LIVE LOAD OF THE AASHTO H-20 DESIGNATION AND SHALL BE FLUSH WITH TOP OF VAULT.
 4. ALUMINUM FLOOR DOORS AND FRAMES FOR LOCATIONS OUT OF ROADWAYS AND NOT SUBJECT TO TRAFFIC LOADINGS SHALL BE DESIGNED TO WITHSTAND A LIVE LOAD OF 300 POUNDS PER SQUARE FOOT AND SHALL EXTEND 3-INCHES MINIMUM ABOVE TOP OF VAULT.
 5. 6-INCH VENT PIPING SHALL BE ROUTED SUCH THAT THE ABOVE-GROUND GOOSENECK AND INSECT SCREEN ARE LOCATED OUT OF VEHICULAR OR PEDESTRIAN TRAFFIC AREAS.

- A PRESSURE REDUCING VALVE, AS SPECIFIED
- B FLEXIBLE COUPLING WITH THRUST TIES, SEE THRUST TIE DETAIL ON DWG. 2358
- C FLANGED TEE, REQUIRED ONLY IF BYPASS SPECIFIED
- D BURIED BUTTERFLY VALVE (GATE VALVE FOR SIZE < 14")
- E BUTTERFLY VALVE WITH HAND WHEEL OPERATOR (GATE VALVE FOR SIZE < 8"), REQUIRED ONLY WHEN BYPASS IS SPECIFIED.
- F FLANGED SPOOL, LENGTH = 1'-0"
- G ADJUSTABLE PIPE SADDLE SUPPORT, GRINNELL FIG. 264, ELCEN FIG. 50 OR EQUAL, TYPICAL
- H GATE VALVE WITH HAND WHEEL OPERATOR, REQUIRED ONLY IF BYPASS SPECIFIED
- J 1'-6" WIDE ALUMINUM LADDER W/LADDER UP SAFETY POST PER OSHA STANDARDS.
- K ALUMINUM FLOOR DOOR WITH RECESSED HASP COVERED BY A HINGED LID FLUSH WITH TOP SURFACE. DOOR SIZE SHALL BE 4'x4" DOUBLE LEAF (WITHOUT BYPASS) AND 4'x6" DOUBLE LEAF (WITH BYPASS). HARDWARE AND HINGES SHALL BE 304 STAINLESS STEEL. BILCO TYPE JD, OR EQUAL.
- L GRAVEL PER ASTM C33, NO. 57 GRAVEL.
- M 6" STEEL PIPE W/GOOSENECK AND INSECT SCREEN
- N 3'-0" SO ALUMINUM FLOOR DOOR WITH RECESSED HASP COVERED BY A HINGED LID FLUSH WITH TOP SURFACE. HARDWARE AND HINGES SHALL BE 304 STAINLESS STEEL. BILCO TYPE J, OR EQUAL.
- P WALL PIPE WITH THRUST COLLAR, CENTER IN WALL
- Q 1/2" PIPE TAP WITH 1/2" BALL VALVE AND CAP
- R D.I. SPOOL FLG. x P.E.
- S MEGA FLANGE - FLANGE ADAPTER, AS MANUFACTURED BY EBAA IRON SALES, OR APPROVED EQUAL.
- T INSULATING FLANGE KIT.



REVISIONS	NM APWA
	WATER
	STANDARD PRV STATION
	NO METER
	DWG. 2354
	FEB. 2006