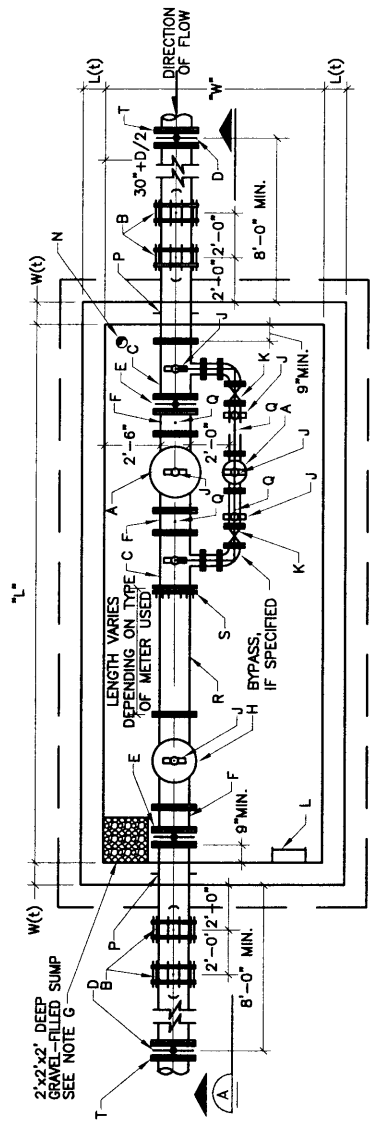


GENERAL NOTES:

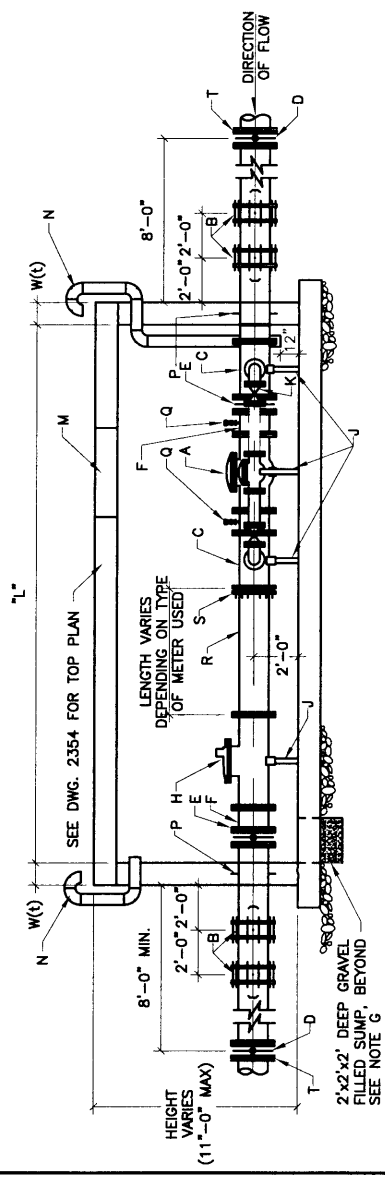
- FOR STRUCTURAL DETAILS, VAULT DIMENSIONS AND REINFORCING SEE STANDARD PRT STATION STRUCTURAL DETAILS DWG. 2357
- SEE STANDARD PRT STATION NO METER, DWG. 2354 FOR ADDITIONAL CONSTRUCTION NOTES.

CONSTRUCTION NOTES:

- PRESSURE REDUCING VALVE, AS SPECIFIED
- FLEXIBLE COUPLING WITH THRUST TIES, SEE THRUST TIE DETAIL ON DWG. 2358.
- FLANGED TEE, REQUIRED ONLY IF BYPASS SPECIFIED
- BURIED BUTTERFLY VALVE (GATE VALVE FOR SIZE < 14")
- BUTTERFLY VALVE WITH HAND WHEEL OPERATOR (GATE VALVE FOR SIZE < 8"), REQUIRED ONLY WHEN BYPASS SPECIFIED
- FLANGED SPOOL, LENGTH = 1'-0"
- ASTM C33, NO. 57 GRAVEL
- PROPELLER TYPE FLOW METER, SPARING MODEL PDS-102 OR EQUAL, COMPLETE WITH TUBE, SADDLE AND STRAIGHTENING VANES.
- ADJUSTABLE PIPE SADDLE SUPPORT, GRINNEL FIG. 264.
- GATE VALVE WITH HAND WHEEL OPERATOR, REQUIRED ONLY IF BYPASS SPECIFIED
- 1'-6" WIDE ALUMINUM LADDER W/LADDER UP SAFETY POST PER OSHA STANDARDS.
- ALUMINUM FLOOR DOOR WITH RECESSED HASP COVERED BY A HINGED JID FLUSH WITH TOP SURFACE. DOOR SIZE SHALL BE 4'x4' DOUBLE LEAF (WITHOUT BYPASS) AND 4'x6' DOUBLE LEAF (WITH BYPASS). HARDWARE AND HINGES SHALL BE 304 STAINLESS STEEL. BILCO TYPE JD, OR EQUAL.
- 6" STEEL PIPE W/GOOSENECK AND INSECT SCREEN
- WALL PIPE WITH THRUST COLLAR, CENTER IN WALL
- 1/2" PIPE TAP WITH 1/2" BALL VALVE AND CAP
- D.I. SPOOL FLG. x P.E.
- MEGA FLANGE - FLANGE ADAPTOR, AS MANUFACTURED BY EBAA IRON SALES, OR APPROVED EQUAL.
- INSULATING FLANGE KIT.



INTERIOR PLAN



SECTION A-A

REVISIONS	NM APWA
	WATER
	STANDARD PRT STATION WITH PROPELLER METER
	DWG. 2355
	FEB. 2006