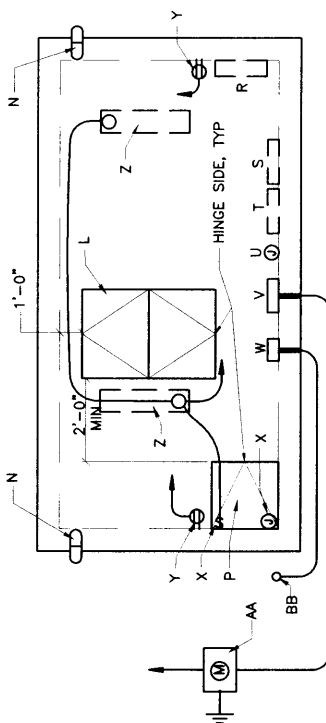


GENERAL NOTES:

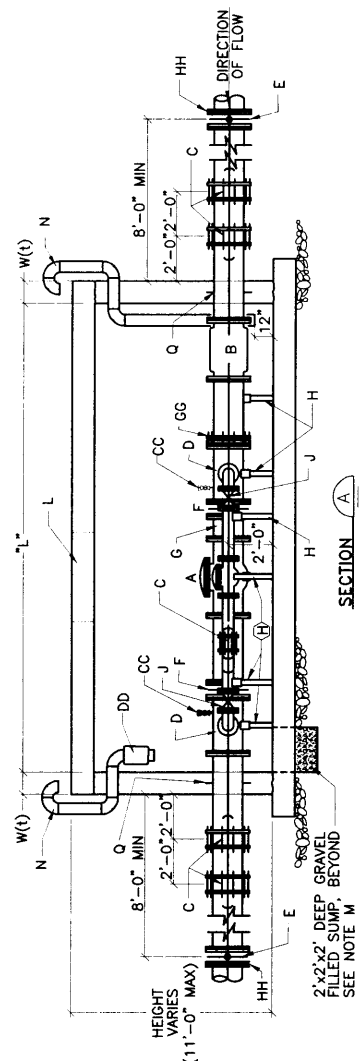
- FOR STRUCTURAL DETAILS, VAULT DIMENSIONS AND REINFORCING SEE STANDARD PRV STATION STRUCTURAL DETAILS DWG. 2357.
- SEE STANDARD PRV STATION NO METER, DWG. 2354 FOR ADDITIONAL CONSTRUCTION NOTES.

CONSTRUCTION NOTES:

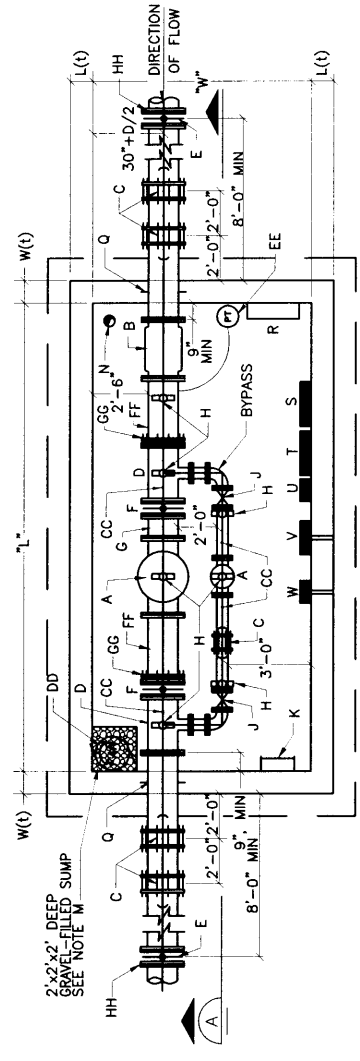
- A PRESSURE REDUCING VALVE, AS SPECIFIED
- B MAGNETIC FLOW METER, KROHNE M940/960, OR AS APPROVED BY THE OWNER, COMPLETE WITH SIGNAL CONVERTER
- C FLEXIBLE COUPLING WITH THRUST TIES, SEE THRUST TIE DETAIL ON DWG. 2358.
- D FLANGED TEE
- E BURIED BUTTERFLY VALVE (GATE VALVE FOR SIZE < 14")
- F BUTTERFLY VALVE (GATE VALVE FOR SIZE < 8")
- G FLANGED SPOOL, LENGTH = 1'-0"
- H ADJUSTABLE PIPE SADDLE SUPPORT, GRINNELL FIG. 264, ELGEN FIG. 50 OR EQUAL
- J GATE VALVE
- K 1'-6" WIDE ALUMINUM LADDER W/LADDER UP SAFETY POST PER OSHA STANDARDS.
- L ALUMINUM FLOOR DOOR WITH RECESSED HASP COVERED BY A HINGED LID FLUSH WITH TOP SURFACE. DOOR SIZE SHALL BE 4'x6'. DOUBLE LEAF HARDWARE AND HINGES SHALL BE TYPE 304 STAINLESS STEEL. BILCO TYPE JD OR EQUAL
- M GRAVEL PER ASTM C33, NO. 57 GRAVEL.
- N 6" STEEL PIPE W/GOOSENECK AND INSECT SCREEN
- P 3'-0" SQ ALUMINUM FLOOR DOOR WITH RECESSED HASP COVERED BY A HINGED LID FLUSH WITH TOP SURFACE. HARDWARE AND HINGES SHALL BE TYPE 304 STAINLESS STEEL. BILCO TYPE J OR EQUAL.
- Q WALL PIPE WITH THRUST COLLAR, CENTER IN WALL
- R RCP CABINET FURNISHED BY THE OWNER
- S POWER SUPPLY AND TERMINAL CABINET
- T FLOW INDICATING TRANSMITTER
- U WEATHERPROOF JUNCTION BOX FOR CONNECTION OF VAULT FLOOD LEVEL ELEMENT
- V 100 AMP, 120/240 VOLT, SINGLE PHASE THREE WIRE CIRCUIT BREAKER PANEL
- W RADIO AND TELEMETRY EQUIPMENT BY THE OWNER
- X WEATHERPROOF JUNCTION BOXES FOR CONNECTION TO TWO POLE MICROSWITCH FOR INTRUSION ALARM AND FOR CONNECTION TO DPDT MICROSWITCH TO ENERGIZE LIGHTS AND EXHAUST FAN WHEN ACCESS DOOR IS OPENED
- Y WEATHERPROOF, GFI DUPLEX RECEPTACLE 24" ABOVE FINISH FLOOR
- Z 2-LAMP STRIP FLUORESCENT ENCLOSED SURFACE MOUNTED LIGHT FIXTURE
- AA PEDESTAL TYPE 100 AMP, 120/240 VOLT, SINGLE PHASE METER AND MAIN CIRCUIT BREAKER. INSTALL ON 16"x16"x6" CONCRETE PAD PER PNM DWG #DS-19-84.0
- BB TELEMETRY SYSTEM MAST AND ANTENNA LOCATION TO BE DETERMINED BY THE OWNER
- CC 1/2" PIPE TAP WITH 1/2" BALL VALVE AND CAP
- DD INLINE EXHAUST FAN W/SWITCH AND ACCESS DOOR CONTROLS
- EE PRESSURE TRANSDUCER, HONEYWELL MODEL STG 644-EG-0000-DM. PROVIDE 1/2" PIPE TAP, 1/2" BALL VALVE AND TUBING TO CONNECT TRANSDUCER TO PIPE BARREL
- FF D.I. SPOOL FLG. x P.E.
- GG MEGA FLANGE - FLANGE ADAPTER, AS MANUFACTURED BY EBAA IRON SALES, OR APPROVED EQUAL.
- HH INSULATING FLANGE KIT.



TOP PLAN



SECTION A



INTERIOR PLAN

| | |
|-----------|--|
| REVISIONS | NM APWA WATER |
| | STANDARD PRV STATION WITH POWER/TELEMETRY |
| | DWG. 2356 FEB. 2006 |