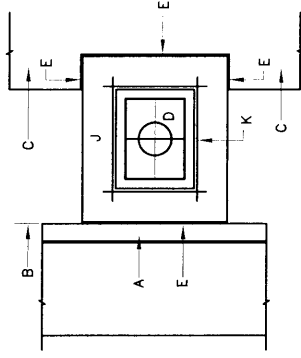


GENERAL NOTES:

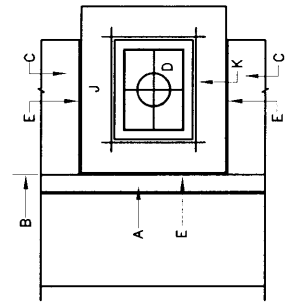
- 1 FOR CONSTRUCTION AND DIMENSIONS OF WATER METER BOX AND CONCRETE PAD, SEE DWG. 2362, 2363, 2368 & 2369.
- 2 BECAUSE OF LIMITED SPACE, METER BOXES MAY BE ROTATED 90°. CONNECTIONS TO BE MADE PER OWNER APPROVAL.
- 3 DOUBLE METER BOXES SHALL BE CENTERED ON ADJOINING PROPERTY LINES.

CONSTRUCTION NOTES:

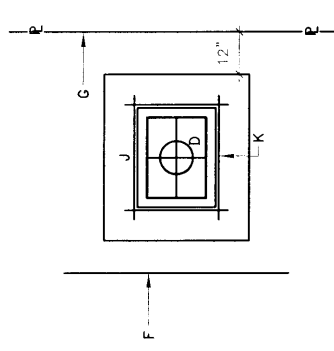
- A CURB.
- B BACK OF CURB.
- C SIDEWALK.
- D METER BOX COVER, SEE DWGS. 2368 OR 2369.
- E 1/2" EXPANSION JOINT.
- F EDGE OF UNCURRED STREET OR GRADED STREET.
- G PROPERTY LINE.
- H DRIVEPAD.
- J CONCRETE PAD SEE DWG. 2362
- K #4 REBAR CONTINUOUS ALL AROUND METER BOX.



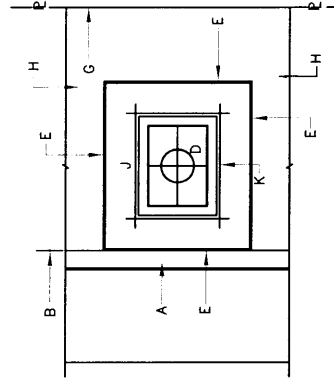
CASE 1
(IN PARKWAY)



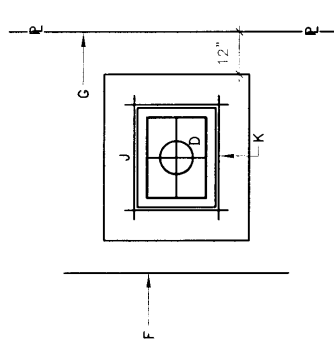
CASE 2
(IN SIDEWALK)



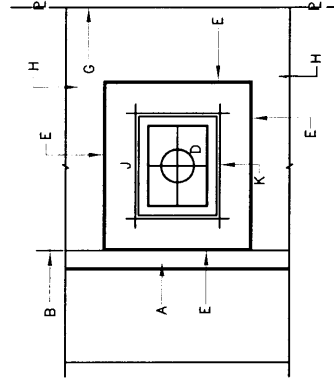
CASE 3
(IN NARROW PARKWAY)



CASE 4
(IN WIDE PARKWAY)



CASE 5
(NO CURB AND GUTTER OR SIDEWALK)



CASE 6
(IN DRIVEPAD)

TYPICAL INSTALLATIONS 3/4" - 1" METERS

REVISIONS	NM APWA WATER
	TYPICAL METER BOX INSTALLATIONS DWG. 2361 FEB. 2006