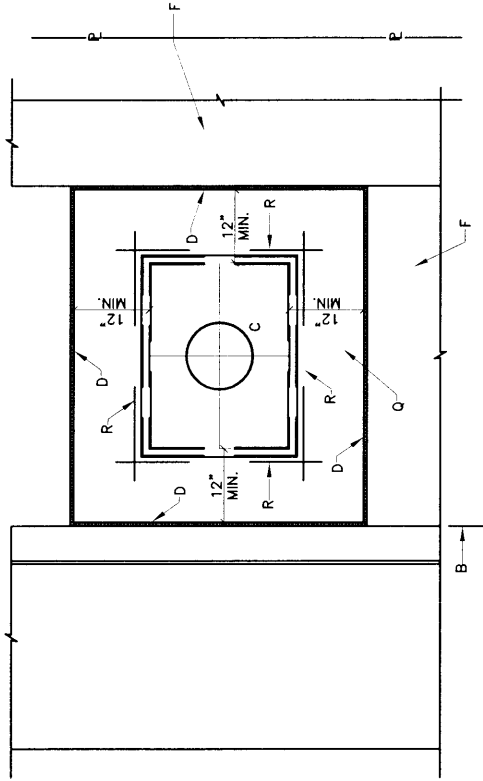


GENERAL NOTES:

- 1 THE METER SHALL BE SET UTILIZING A COPPER-SETTER. COPPER-SETTER HEIGHT 10" FOR 1" METER. 7" FOR 3/4" METER.
- 2 THE VALVE AND METER REGISTER BOX SHALL BE LOCATED UNDER THE LID OPENING. WHERE TWO METERS ARE TO BE INSTALLED IN A SINGLE METER BOX, THE METER REGISTERS SHALL BE WITHIN READING RANGE OF THE LID OPENING.
- 3 METER BOX LOCATION TO CONFORM TO DWG. 2361.
- 4 WHEN CONTRACTOR DOES NOT INSTALL METER, CONTRACTOR SHALL PROVIDE REMOVABLE PLUGS FOR END OF COPPER-SETTER.
- 5 EXISTING CONCRETE TO BE SAWCUT.

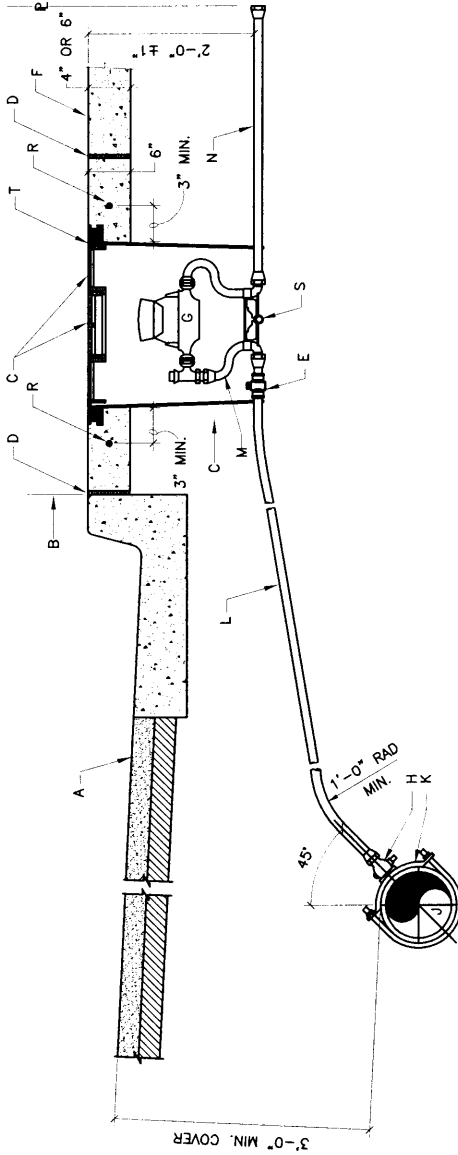
CONSTRUCTION NOTES:

- A STREET SURFACE.
- B BACK OF CURB.
- C CAST IRON METER BOX, COVER AND LID. SEE DWG. 2368 OR 2369.
- D 1/2" EXPANSION JOINT.
- E CURB STOP, LOCATE INSIDE METER BOX.
- F SIDEWALK OR DRIVEPAD.
- G METER. TOP OF METER TO BE 12"-18" BELOW COVER.
- H CORP STOP.
- J MAIN WATER LINE.
- K TAPPING SADDLE.
- L COPPER SERVICE LINE.
- M COPPER SETTER.
- N TAILPIECE TO PROPERTY LINE WITH INSTA-TITE I.P.T. CAPPED FITTING. DOUBLE CHECK VALVE SHALL BE INSTALLED IN WATER ZONES OW, 1W, & 1E.
- Q CONCRETE PAD REQUIRED IN ALL AREAS PER SEC. 101 EXTERIOR CONCRETE, $f'_c=3500$ psi @ 28 DAYS.
- R #4 REBAR CONTINUOUS ALL AROUND METER BOX.
- S STABILIZER BAR, USE FOR SINGLE METER ONLY. 12" LONG x 1/2" DIA. GALV. STEEL PIPE.
- T METER BOX LID SHALL BE FLUSH WITH SURROUNDING SIDEWALK.



PLAN

SEE DWG. 2361 FOR TYPICAL INSTALLATIONS



SECTION

SERVICE LINE FOR 3/4" - 1" METER

REVISIONS	NM APWA
	WATER
	3/4" - 1" METERED SERVICE LINE INSTALLATION
	DWG. 2362
	FEB. 2006