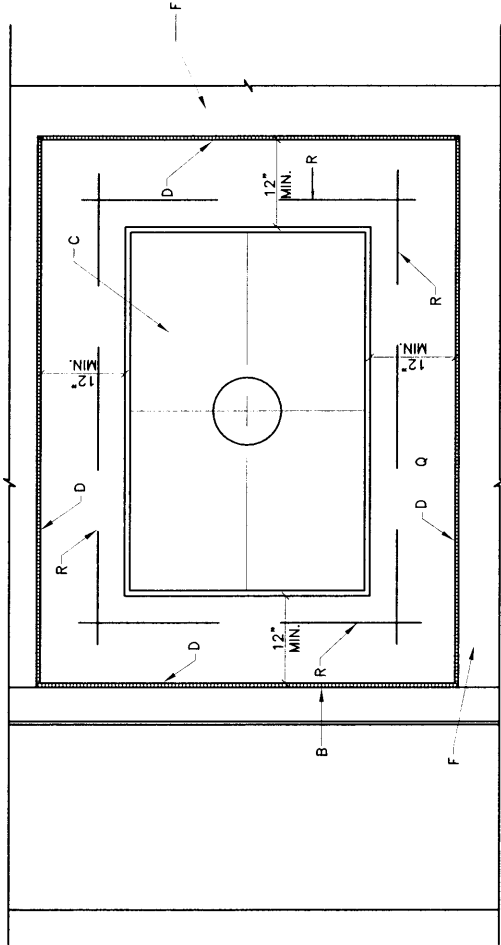


**GENERAL NOTES:**

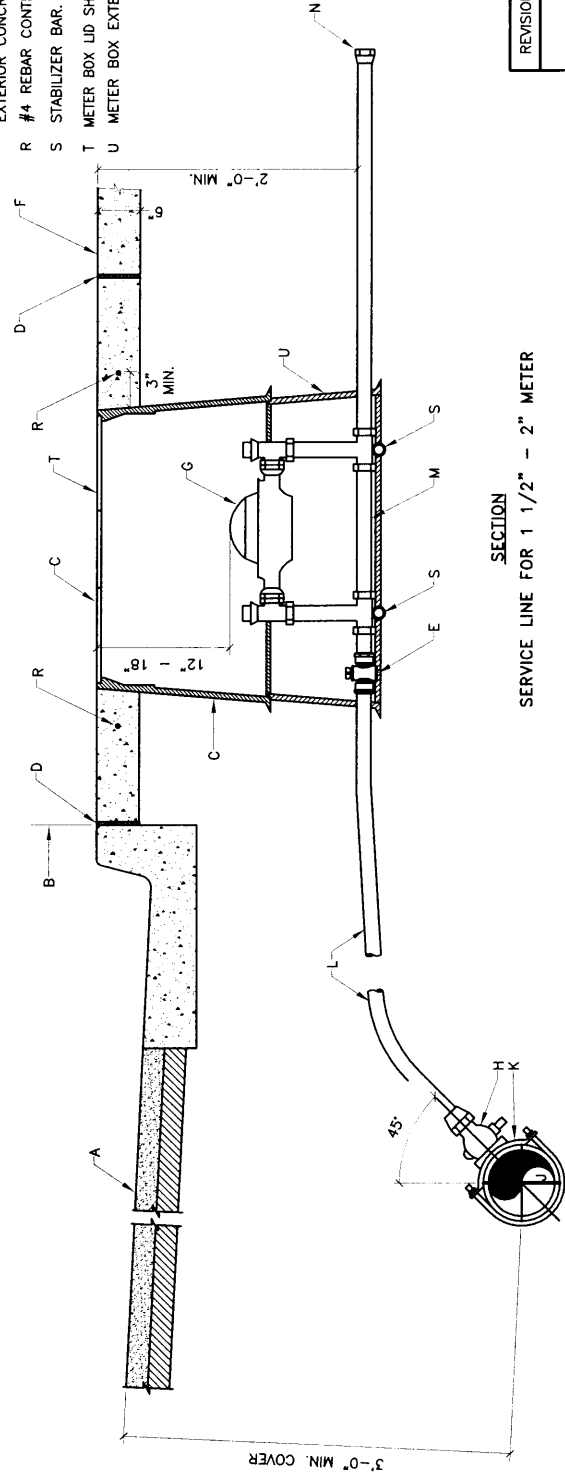
1 METER BOX LOCATION TO CONFORM TO DWG. 2361.

**CONSTRUCTION NOTES:**

- A STREET SURFACE.
- B BACK OF CURB.
- C METER BOX, COVER AND LID, SEE DRAWING 2367. COVER FLUSH WITH SURFACE AND CENTERED OVER METER REGISTER.
- D 1/2" EXPANSION JOINT.
- E CURB STOP, LOCATE INSIDE METER BOX.
- F SIDEWALK OR DRIVEPAD.
- G METER. TOP OF METER TO BE 12" - 18" BELOW COVER.
- H CORP STOP.
- J MAIN WATER LINE.
- K TAPPING SADDLE.
- L COPPER SERVICE LINE.
- M COPPER SETTER.
- N TAILPIECE 3' LONG, APPROVED COPPER TUBING WITH A CLEAN CUT AT END W/TEMPORARY PLUG. DOUBLE CHECK VALVE SHALL BE INSTALLED IN WATER ZONES OW, 1W, & 1E.
- Q CONCRETE PAD REQUIRED IN ALL AREAS PER SEC. 101 EXTERIOR CONCRETE, f'c=3500 psi @ 28 DAYS.
- R #4 REBAR CONTINUOUS ALL AROUND METER BOX.
- S STABILIZER BAR. 1/2" X 12" LONG GALVANIZED STEEL PIPE.
- T METER BOX LID SHALL BE FLUSH WITH SURROUNDING SIDEWALK.
- U METER BOX EXTENSION AS REQUIRED.



PLAN  
SERVICE LINE FOR 1 1/2" - 2" METER



SECTION  
SERVICE LINE FOR 1 1/2" - 2" METER

REVISIONS	NM APWA
WATER	
1-1/2" TO 2" METERED SERVICE LINE INSTALLATION	
DWG. 2363 FEB. 2006	