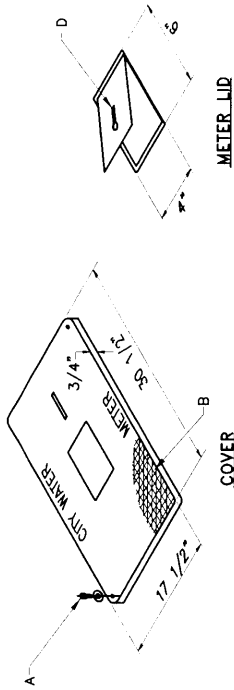


GENERAL NOTES:

- 1 METER BOX WITH COVER AND LID FOR 1 1/2" AND
- 2 CONSTRUCTION OF METER BOX, COVER AND LID SHALL CONFORM TO SECTION 802 FOR WATER METER BOX, 1 1/2" AND 2" METERS.

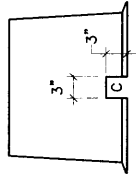
CONSTRUCTION NOTES:

- A 3/8"-16NC HEX. HD. BOLT, 2 REQUIRED WITH WASHERS.
- B SKID RESISTANT SURFACE.
- C 3"x3" PIPE HOLE AT EACH END.
- D STANDARD METER LID KEY HOLE OR 1 1/2" x 1/2" LIFTING SLOT.

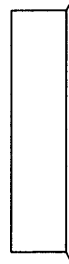


BOX

SIDE VIEW



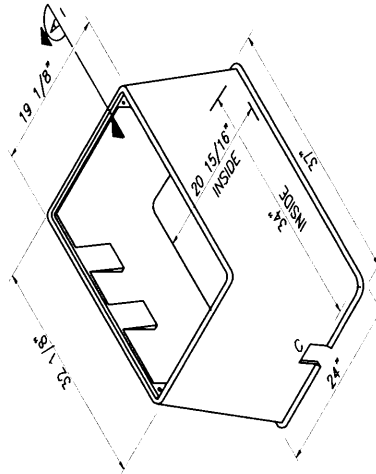
END VIEW



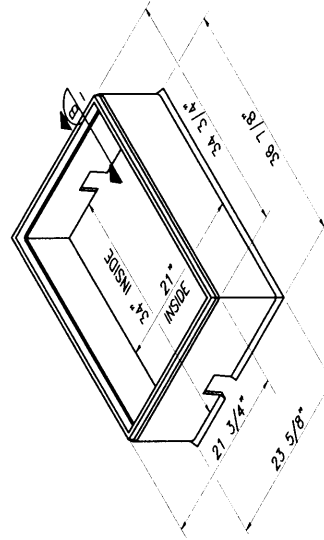
EXTENSION
SIDE VIEW



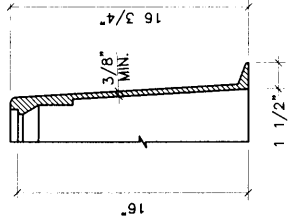
END VIEW



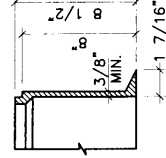
BOX



EXTENSION



BOX SECTION
N.T.S.



EXTENSION SECTION
N.T.S.

REVISIONS

NM APWA

WATER
METER BOX COVER & LID
FOR 1-1/2" AND 2" METERS
DWG. 2367 FEB. 2006