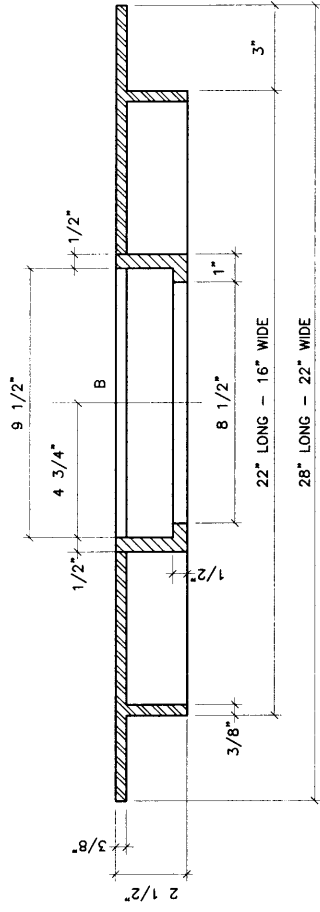
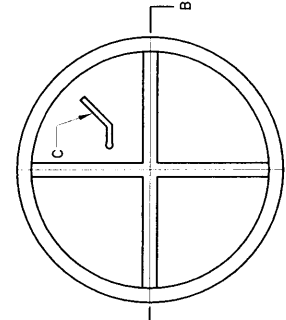


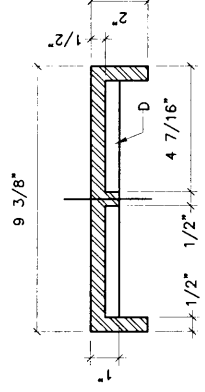
**INVERTED PLAN VIEW  
BOX COVER FOR 3/4" - 1" METERS**



**SECTION A-A**



**INVERTED PLAN VIEW  
BOX LID**



**SECTION B-B**

**GENERAL NOTES:**

1 SEE DWG. 2369 WHEN LOCATED ADJACENT TO MOUNTABLE CURB.

**COVER**

- 2 MATERIAL - GRAY C.I.
- 3 ROUND ALL EDGES.
- 4 TOP TO BE ASPHALT PAINTED.
- 5 TOP OF COVER SHALL HAVE AN INTEGRATED CORRUGATED DESIGN TO PREVENT SLIPPING.

**LID**

- 6 MATERIAL - GRAY C.I.
- 7 ROUND ALL EDGES.
- 8 TOP TO BE ASPHALT PAINTED.
- 9 TOP OF LID SHALL HAVE INTEGRATED CORRUGATED DESIGN TO PREVENT SLIPPING.
- 10 TOP OF COVER SHALL HAVE INTEGRATED WORDS "CITY WATER METER".
- 11 LID SHALL NOT ROCK ON COVER AND SHALL BE EASILY OPENED.
- 12 THE TOP SURFACE OF THE LID SHALL BE FLUSH WITH TOP OF COVER.

**CONSTRUCTION NOTES:**

- A 3/8"x2 3/8" RIB (TYPICAL).
- B LID OPENING.
- C METER LID KEYHOLE.
- D 1/2" THICK RIB.

REVISIONS	NM APWA
	WATER LIGHTWEIGHT METER BOX COVER & LID FOR 3/4" & 1" METERS DWG. 2368 FEB. 2006