

**GENERAL NOTES:**

- 1 TO BE USED WHERE THE ADJACENT STREET HAS MOUNTABLE CURBS, OR IN DRIVEWAYS.

**COVER**

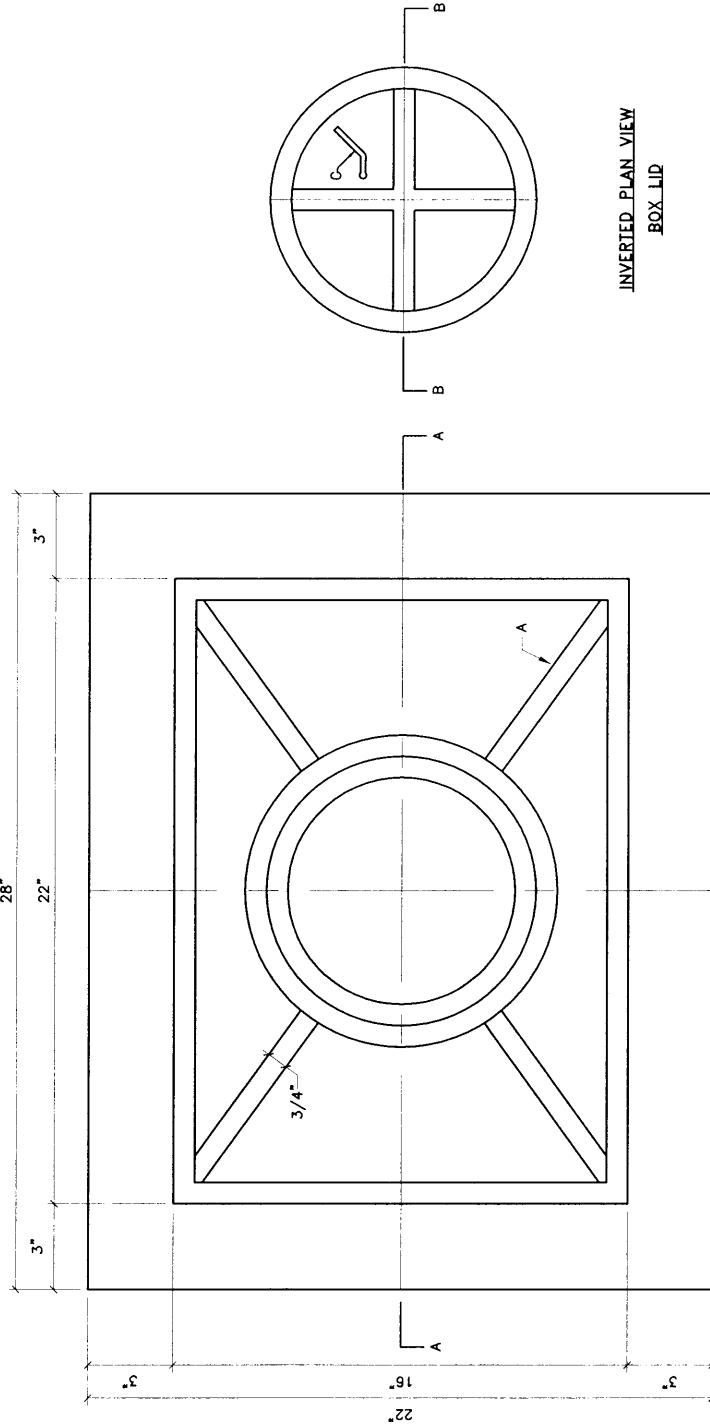
- 2 MATERIAL - GRAY C.I.
- 3 ROUND ALL EDGES.
- 4 TOP TO BE ASPHALT PAINTED.
- 5 TOP OF COVER SHALL HAVE AN INTEGRATED CORRUGATED DESIGN TO PREVENT SLIPPING.
- 6 COMPONENT THICKNESS 3/4".

**LID**

- 7 MATERIAL - GRAY C.I.
- 8 ROUND ALL EDGES.
- 9 TOP TO BE ASPHALT PAINTED.
- 10 TOP OF LID SHALL HAVE INTEGRATED CORRUGATED DESIGN TO PREVENT SLIPPING.
- 11 TOP OF COVER SHALL HAVE INTEGRATED WORDS "CITY WATER METER".
- 12 LID SHALL NOT ROCK ON COVER AND SHALL BE EASILY OPENED.
- 13 THE TOP SURFACE OF THE LID SHALL BE FLUSH WITH TOP OF COVER.

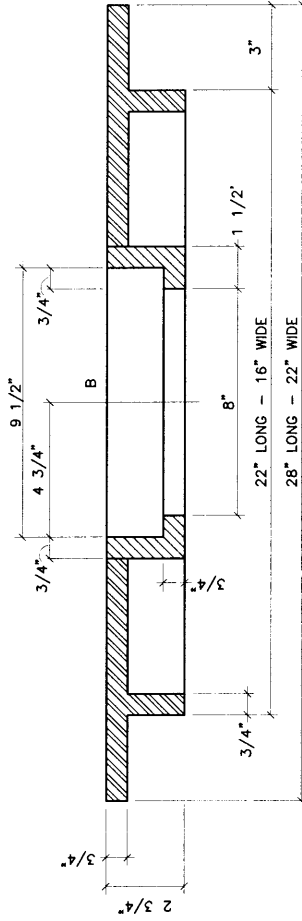
**CONSTRUCTION NOTES:**

- A 3/4"x2" RIB (TYPICAL).
- B LID OPENING.
- C METER LID KEYHOLE.
- D 3/4" THICK RIB.

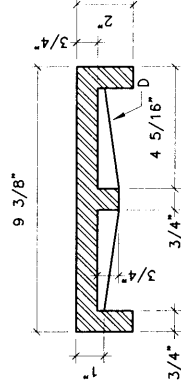


**INVERTED PLAN VIEW  
BOX LID**

**INVERTED PLAN VIEW  
BOX COVER FOR 3/4" - 1" METERS**



**SECTION A-A**



**SECTION B-B**

REVISIONS	NM APWA WATER
	HEAVYWEIGHT METER BOX COVER & LID FOR 3/4" & 1" METERS
	DWG. 2369 FEB. 2006