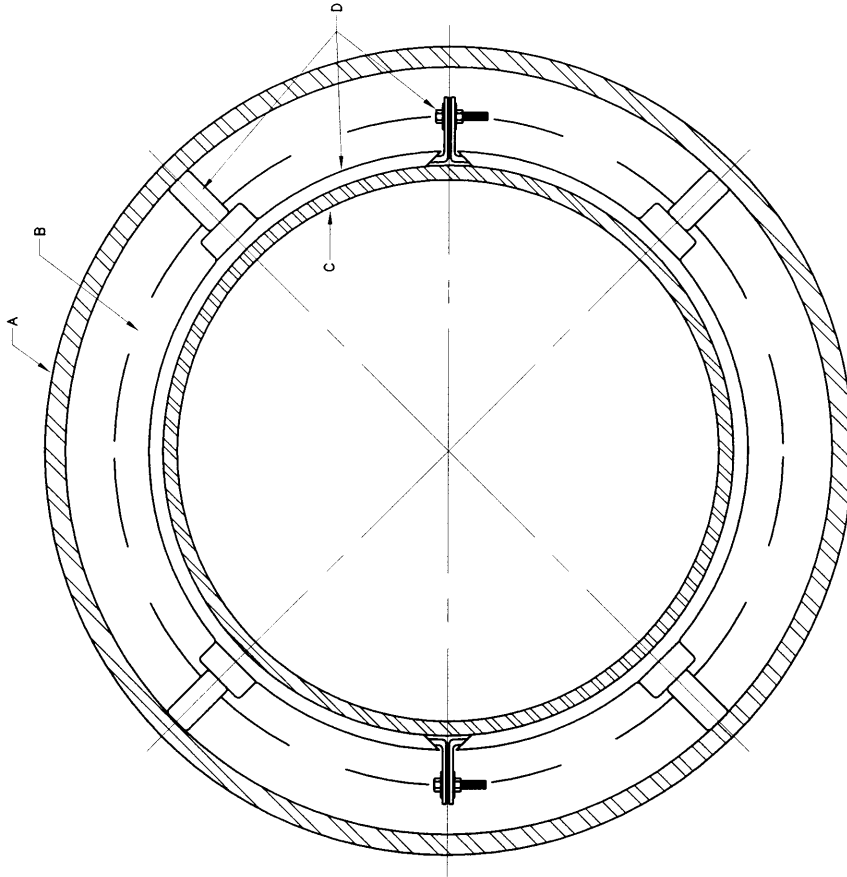


**GENERAL NOTES:**

- 1 METHOD OF END CLOSURE TO BE DESIGNED TO SUIT CONDITIONS.

**CONSTRUCTION NOTES:**

- A WELDED STEEL PIPE CASING. DIAMETER AND WALL THICKNESS TO BE DESIGNED TO SUIT CONDITIONS.
- B BELL DIA. OF CARRIER PIPE.
- C CARRIER PIPE.
- D MANUFACTURED CASING SPACER. INSTALLATION AND SPACING PER MANUFACTURER'S RECOMMENDATIONS.



TYPICAL SECTION

REVISIONS	NM APWA
	WATER BORING INSTALLATION
	DWG. 2380 FEB. 2006