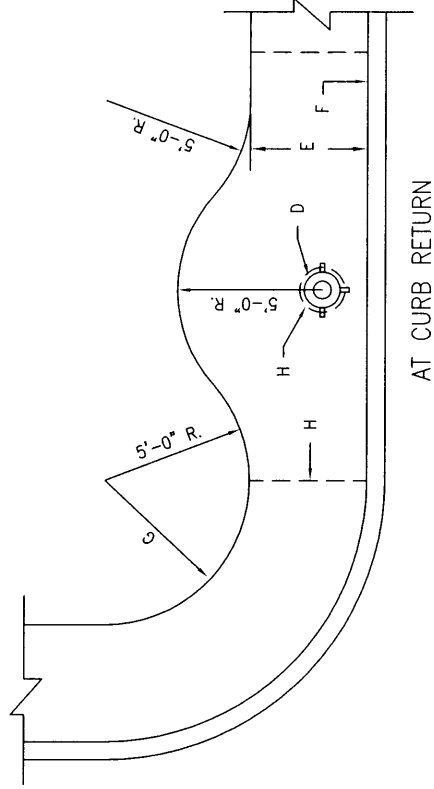
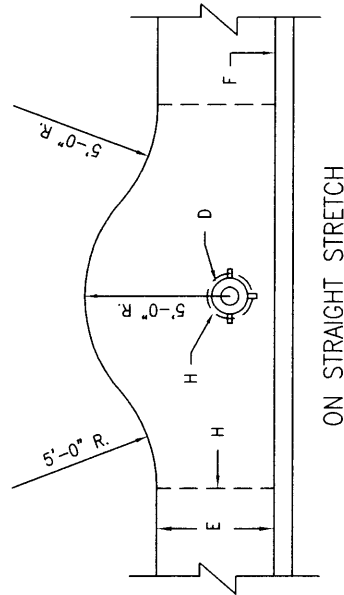
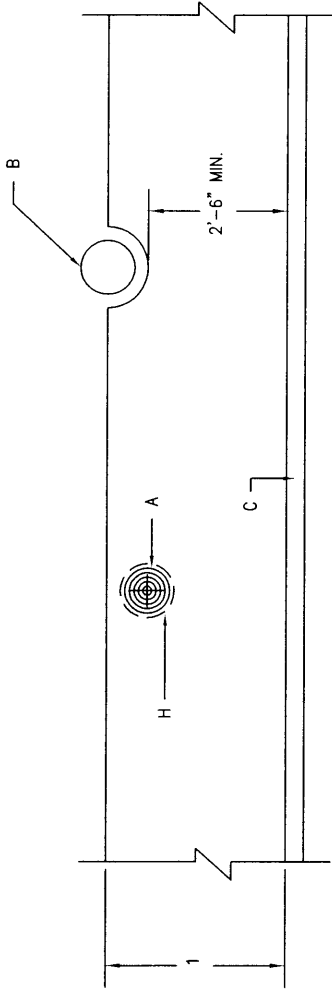


GENERAL NOTES:

1. FOR SIDEWALK CONSTRUCTION DETAILS, SEE CONSTRUCTION NOTE B, DWG. 2430.
2. USE WHERE AVAILABLE, R/W EXIST. TO BE DETERMINED BY THE ENGINEER.
3. PROVIDE 1/2" PREFORMED EXPANSION JOINT MATERIAL AROUND ALL POWER POLES AND FIRE HYDRANTS WITHIN THE SIDEWALK AREA.

CONSTRUCTION NOTES:

- A. POWER POLE.
- B. LEAVE 6" CLEARANCE ALL AROUND TREE TRUNK.
- C. TOP OF CURB.
- D. FIRE HYDRANT.
- E. SIDEWALK.
- F. BACK OF CURB.
- G. EXTERIOR EDGE OF SIDEWALK TO BE TANGENT TO ARCS.
- H. 1/2" EXPANSION JOINT MATERIAL.



4'-0" SIDEWALK ENCLOSING A FIRE HYDRANT

REVISIONS	NM APWA
	PAVING
SIDEWALK OBSTRUCTIONS	
DWG. 2431	
AUG. 1986	