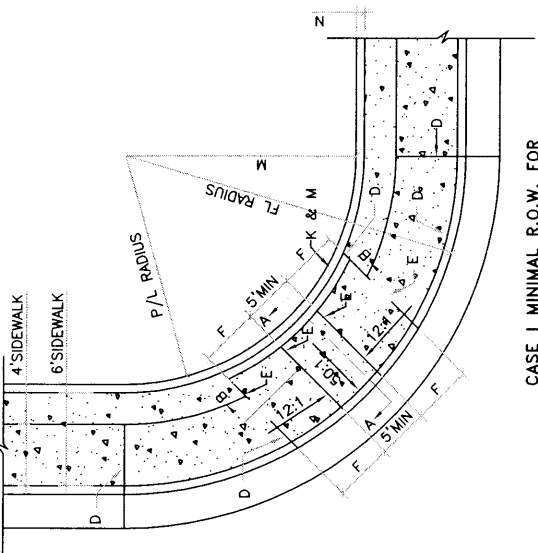


CASE II. ADEQUATE R.O.W. FOR SETBACK SDWK ADJACENT TO PL.



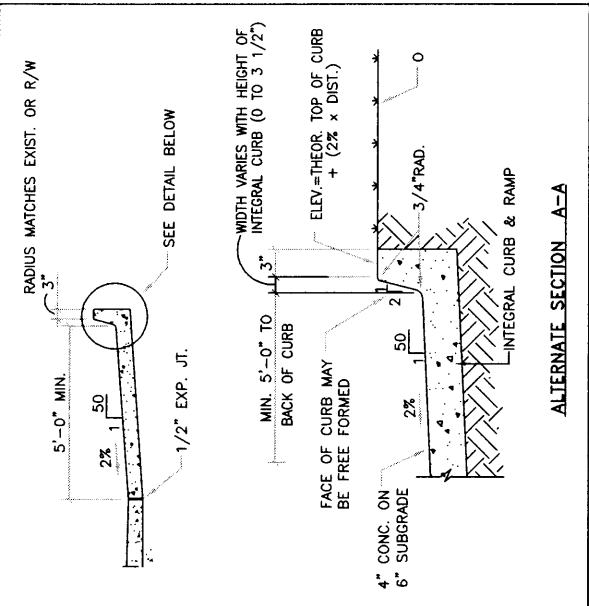
CASE I. MINIMAL R.O.W. FOR SIDEWALK AT BACK OF CURB.

**GENERAL NOTES:**

1. CURB ACCESS RAMPS ARE NORMALLY TO BE LOCATED AT THE CENTER OF THE RETURN OR AS DIRECTED BY THE ENGINEER.
2. SURFACE TEXTURE OF CURB ACCESS RAMPS SHALL BE OBTAINED BY HEAVY BROOMING (TEXTURE DEPTH .0625"). TRAVERSE TO THE SLOPE OF THE RAMP.
3. GUTTER FLOW-LINE PROFILE SHALL BE MAINTAINED THROUGH THE AREA OF THE RAMP. DRAINAGE CATCH BASIN STRUCTURES SHALL NOT BE PLACED IN LINE WITH RAMPS.
4. WIDTH OF SIDEWALK AND RAMP MUST BE MAINTAINED AT A MINIMUM OF 5'-0" THROUGH ENTIRE RAMP LENGTH.

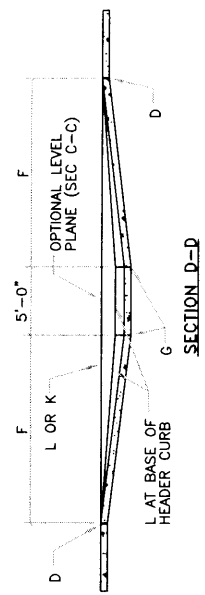
**CONSTRUCTION NOTES:**

- A. SLOPE OF GUTTER DEPENDENT ON REQUIREMENTS FOR VALLEY GUTTER.
- B. FLUSH WITH RAMP AND GUTTER.
- C. CURB & GUTTER (SEE STD. DWG. 2415-GUTTER AT CURB ACCESS RAMP).
- D. 1/2" EXPANSION JOINT.
- E. PARALLEL LINES-TOP AND BOTTOM OF RAMP.
- F. 12:1 MAX SLOPE OF RAMP.
- G. CONTRACTION JOINT.
- H. VARIES WITH AVAILABLE R.O.W.
- I. VARIABLE.
- J. HEADER CURB, SEE DWG. 2415.
- K. BACK OF SIDEWALK.
- L. BACK OF SIDEWALK RADIUS TO BE ESTABLISHED 90 AS TO MAINTAIN A 5'-0" RAMP WIDTH (MINIMUM) OR NONE THROUGHOUT. SEE STD. DWG. 2440 (NOTE 5) IF LESS THAN 5'-0" IS AVAILABLE DUE TO UNTIMELY UNRESOLVABLE CONSTRAINTS.
- N. 4-1/2" MAX.
- O. ANY PRIVATE LANDSCAPING AND OR IRRIGATION SHALL BE RESTORED TO ORIGINAL CONDITION. SHOULD ANY PRIVATE IMPROVEMENT NEED TO BE REMOVED, OWNER MUST BE NOTIFIED.



ALTERNATE SECTION A-A

△	PL RAD.	CURB RAD.	PL CURB WIDTH	BACK S.W. RADIUS
90°	25'	25'	4'	25'
90°	30'	25'	4'	30'
90°	25'	30'	4'	25'
90°	30'	30'	4'	30'



SECTION D-D

REVISIONS	NM APWA
11/14/91	PAVING
4/27/94	(WHEELCHAIR) CURB ACCESS RAMP