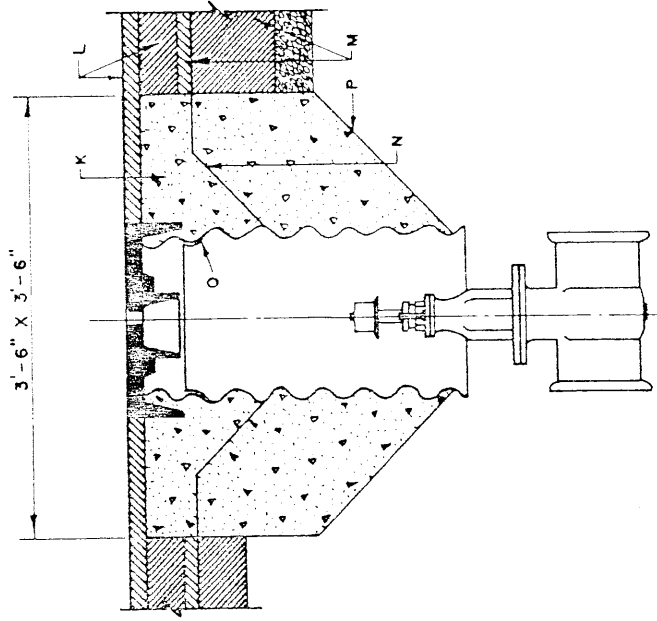


GENERAL NOTES:

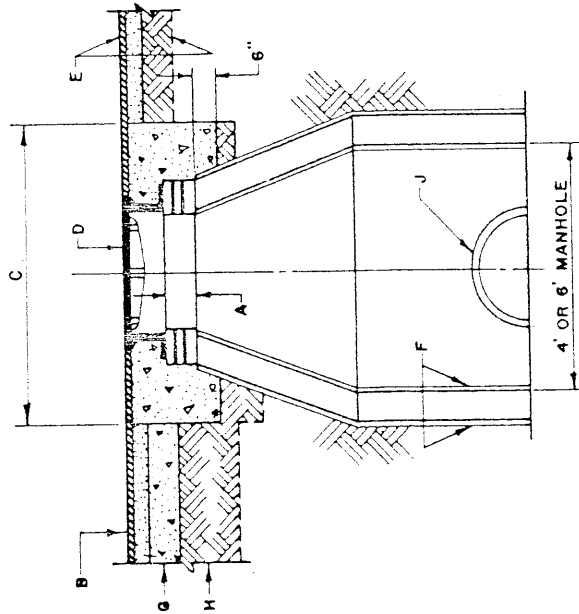
1. ADJUSTMENT TO GRADE OF FRAME AND COVER SHALL BE MADE BY VARYING BRICK COURSES DIRECTLY UNDER FRAME, USING FOUR COURSE MAX IF LESS THAN ONE COURSE IS REQUIRED, GROUT ONLY SHALL BE USED. IF ADJUSTMENT WOULD REQUIRE GREATER THAN FOUR COURSES, THE CONE SHALL BE REMOVED, BARREL HEIGHT ADJUSTED AND CONE REPLACED. ADJUSTMENT RINGS MAY BE USED FOR MINOR ADJUSTMENT REQUIREMENTS.
2. FOR SMALL ADJUSTMENTS WATER VALVE EXTENSION COLLAR & INSERT MAY BE USED SEE DWG 2332.

CONSTRUCTION NOTES:

- A. FOUR BRICK COURSES MAX
- B. OVERLAY
- C. USE A CONC PAD 5' X 5' IN ALL AREAS
- D. M/H FRAME & COVER
- E. STD PAVING SECT
- F. 1/2" PLASTER INSIDE & OUTSIDE EXCEPT ON PRECAST UNITS
- G. A.T.R. OR C.T.B.
- H. SUBGRADE
- J. SEWER LINE
- K. NEW PORTLAND CEMENT CONC.
- L. NEW PAVING MATERIAL.
- M. EXIST PAVEMENT.
- N. EXIST LINE
- O. VALVE BOX EXTENSION, SEE DWG. 2325.



VALVE BOX REGRADING DETAIL



MANHOLE REGRADING DETAIL

NM APWA

REVISIONS

PAVING

MH & VALVE BOX REGRADING

DWG. 2460

AUG. 1986