

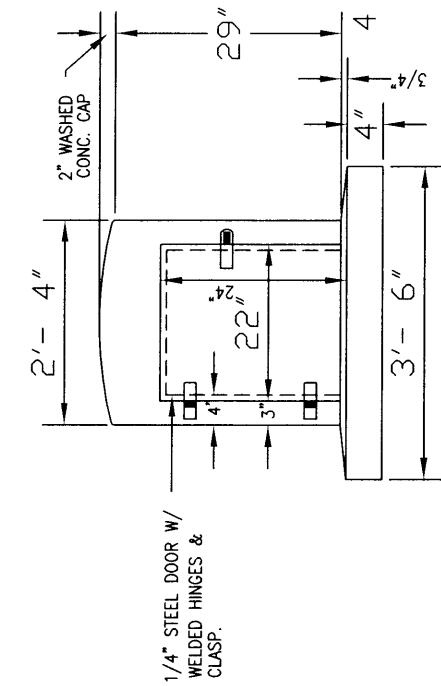
GENERAL NOTES:

1. THESE DETAILS ARE (2) SCHEMATIC REPRESENTATIONS OF PRE-CAST CONTROLLER VAULTS AVAILABLE FROM MATERIALS, INC. ALTERNATE SUPPLIERS OR DESIGNS MUST HAVE WRITTEN APPROVAL OF THE ENGINEER PRIOR TO INSTALLATION OF VAULTS.
2. LOCK TO BE PROVIDED BY OWNER.

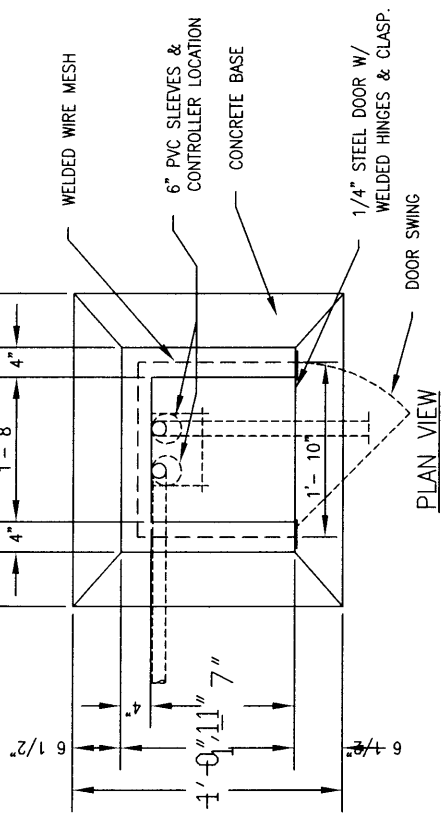
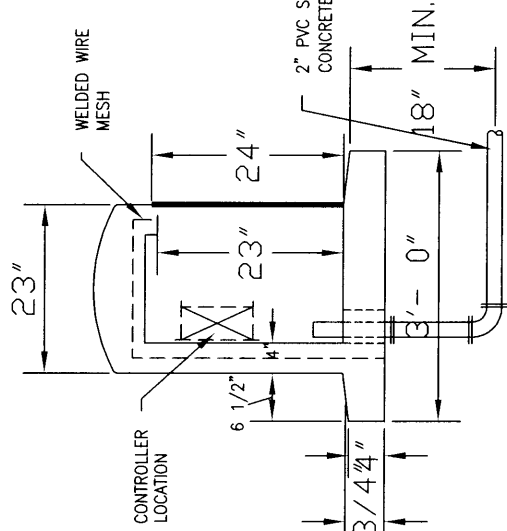
CONSTRUCTION NOTES:

1. ALL CONCRETE SHALL BE 3000 PSI.
2. ALL WELDED WIRE MESH SHALL BE \_\_\_\_\_
3. SUBGRADE BENEATH AND FOR 6" ALL AROUND VAULT SHALL BE COMPACTED 6" DEEP TO 90% OF OPTIMUM DENSITY AS DETERMINED BY ASTM-D-1557.

FRONT ELEVATION



SIDE SECTION



DETAIL AUTOMATIC CONTROLLER VAULT

REVISIONS

NM APWA  
 LANDSCAPING  
 AUTOMATIC CONTROLLER  
 VAULT  
 DWG. 2466  
 AUG. 1986