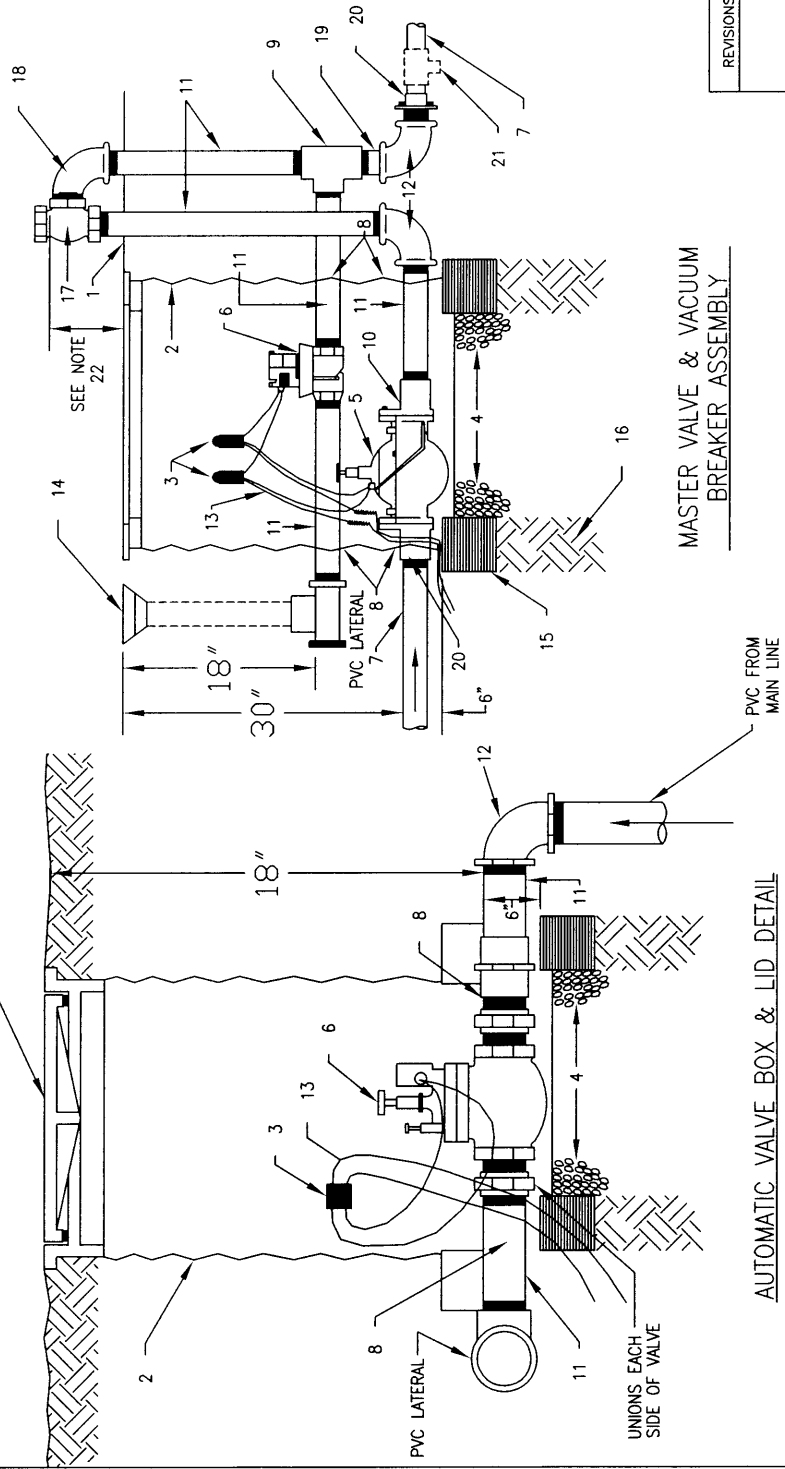
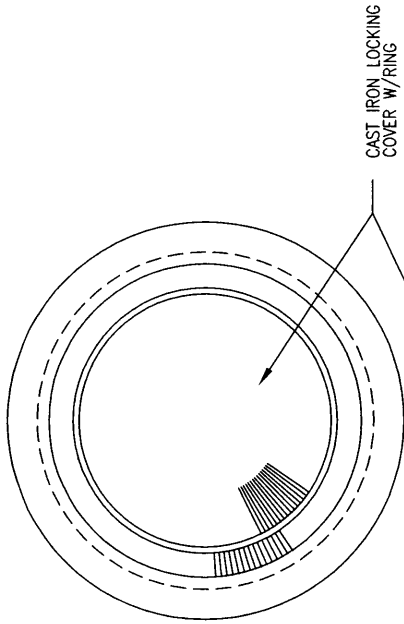
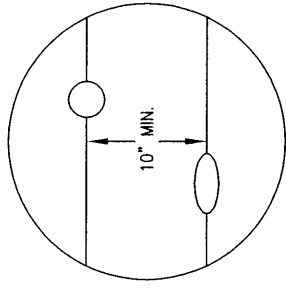


CONSTRUCTION NOTES:

1. FINISH GRADE.
2. WESTERN IRON WORKS VALVE BOX 34C, 18"  $\phi$  X 24" OR 36" DEEP AS SHOWN.
3. SPEARS DRI-SPLICE CONNECTORS.
4. 2 CUBIC FEET 1" WASHED ROCK.
5. ELECTRIC CONTROL VALVE.
6. NORMALLY OPEN VALVE AS SPEC.
7. PVC MAIN LINE.
8. CUT OUT FOR IRRIGATION LINE.
9. GALV. TEE.
10. AMES EPOXY COATED FLANGE X THREAD ADAPTER.
11. GALV. NIPPLE.
12. GALV. ELL.
13. 3/8" WIRE EXPANSION COIL.
14. SPRAY HEAD OR OTHER DEVICE AS SPECIFIED ON PLANS.
15. 8" X 8" X 16" SOLID CMU (4 PLACES).
16. 95% COMPACTED SUBGRADE.
17. ATMOSPHERIC VACUUM BREAKER.
18. GALV. STREET ELL.
19. 4" X 3" GALV. BUSHING.
20. AMES EPOXY COATED FLANGE X GASKET ADAPTER.
21. MANUAL DRAIN.
22. 6" MIN. ABOVE FINISH GRADE AND HIGHER THAN TWO-THIRDS OF THE IRRIGATION HEADS ON THE ASSOCIATED SYSTEM.

DETAIL "A"



MASTER VALVE & VACUUM BREAKER ASSEMBLY

AUTOMATIC VALVE BOX & LID DETAIL

REVISIONS

NM APWA

PAVING  
IRRIGATION VALVE  
BOX DETAILS

DWG. 2467

AUG. 1986