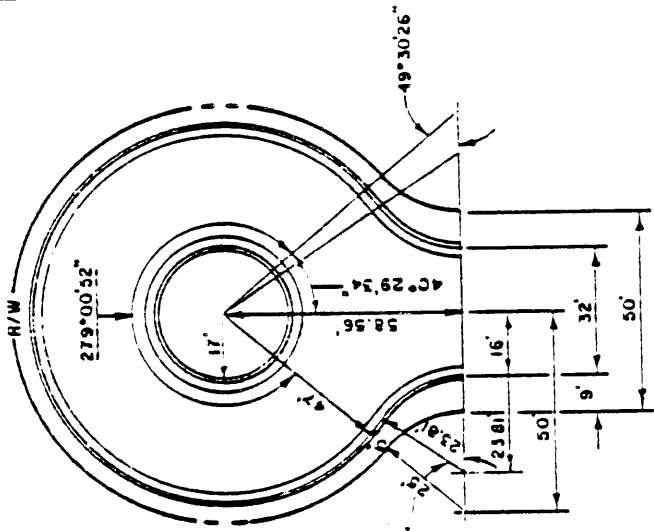
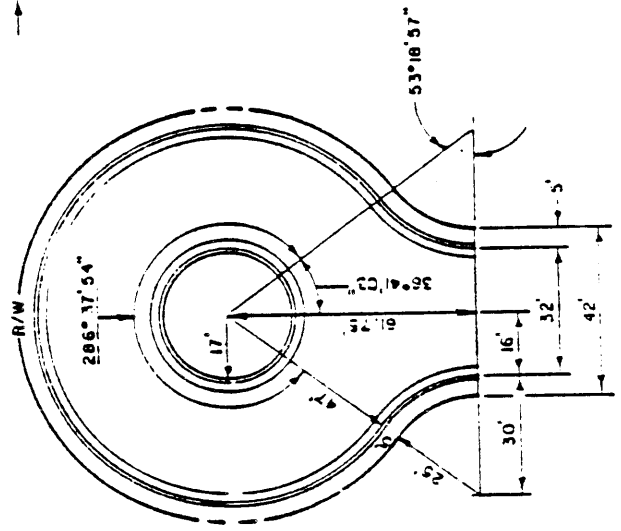


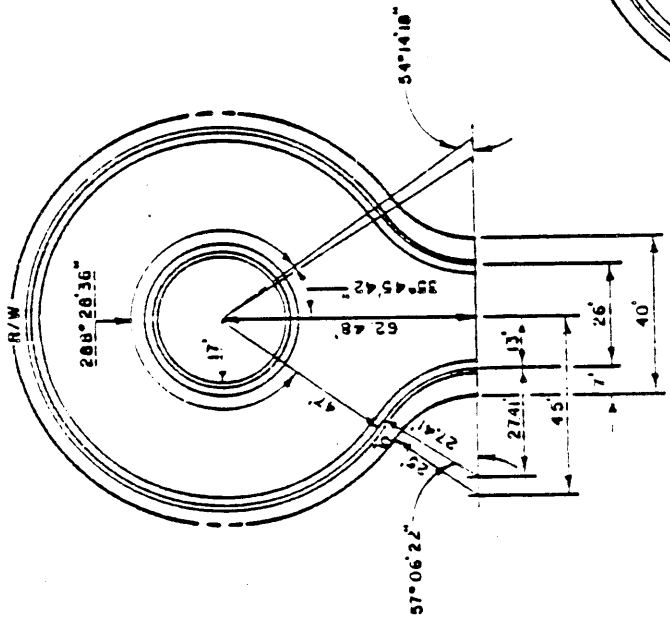
CASE	PAVED AREA SQ. YARDS	C. U. O. LINEAL FEET
I	649	400
II	644	392
III	659	398



CASE II



CASE III



CASE I

REVISIONS	DATE	BY	APP'D

HM APWA

TRAFFIC

ISLAND CUL-DE-SACS

DWG. 2511

AUG 1946