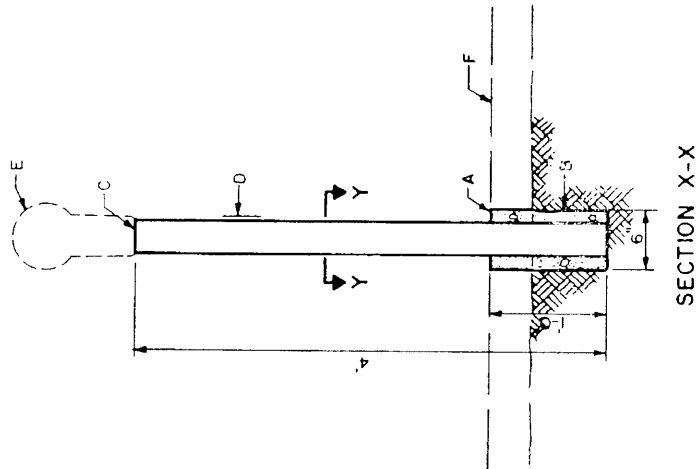
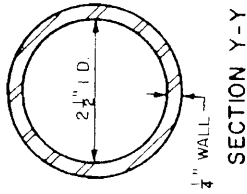
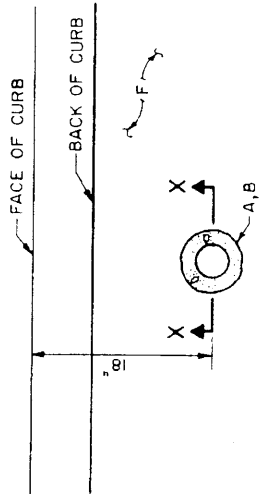


**GENERAL NOTES:**

1. PARKING METER POLES TO BE SPACED AS SHOWN ON PLANS.
  2. MATERIAL: BLACK STEEL PIPE WITH TWO COATS OF SILVER PAINT.
- CONSTRUCTION NOTES:**
- A. 6" MIN. DIA. CORE DRILL IN EXISTING SLAB OR BLOCK OUT IN NEW CONSTRUCTION.
  - B. CONCRETE OR NON-SHRINK GROUT. FINISH TOP TO MATCH SIDEWALK.
  - C. REAM AND DE-BURR EXPOSED END OF PIPE AFTER CUTTING.
  - D. PLUMB POLE IN ALL DIRECTIONS, REGARDLESS OF SLOPE OF STREET.
  - E. METER HEAD FURNISHED AND INSTALLED BY CITY.
  - F. 4" P.C.C. SIDEWALK.



REVISIONS

NM APWA  
**TRAFFIC  
 POLE INSTALLATION  
 FOR PARKING METER**  
 DWG. 2528