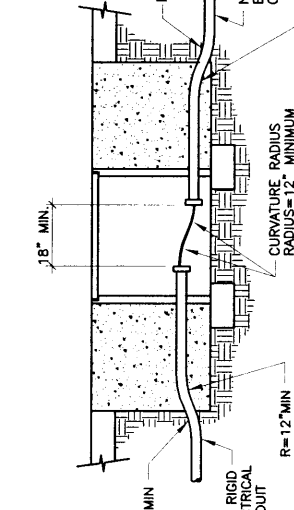
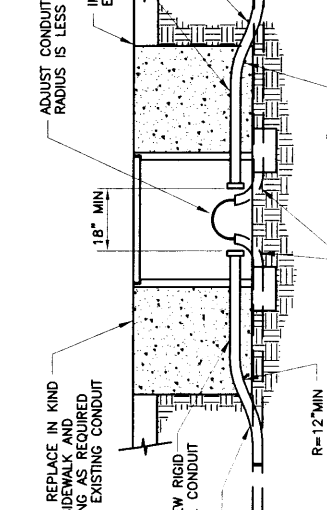


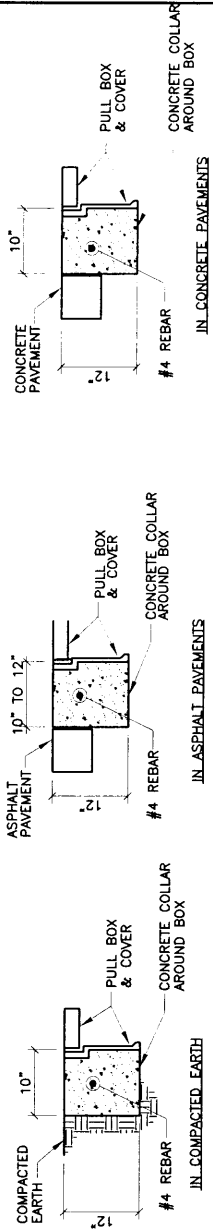
TYPICAL PULL BOX INSTALLATION
NOTE: SEE CONCRETE COLLAR DETAILS, THIS SHEET



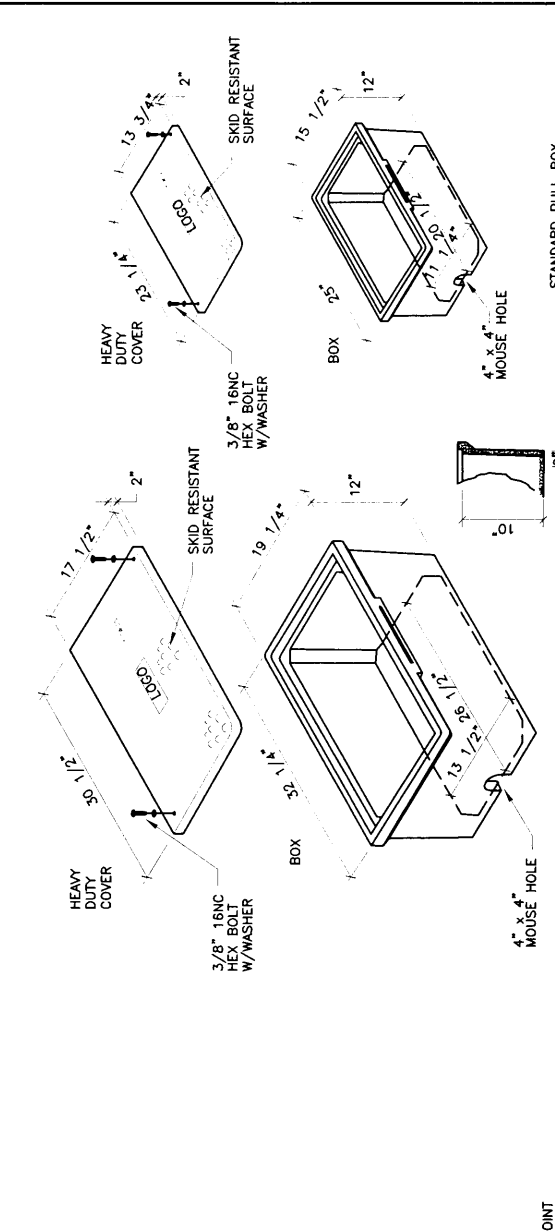
TRAFFIC SIGNAL PULL BOX (TYPICAL) NEW CONDUIT INSTALLATION



TRAFFIC SIGNAL PULL BOX (TYPICAL)



CONCRETE COLLAR DETAILS
NOTES: 1. THE CONCRETE IN THE COLLAR SHALL BE PER SEC. 101, EXTERIOR CONCRETE, $f'_c=3500$ PSI AT 28 DAYS.
2. THE CONCRETE COLLAR SHALL BE CONSIDERED INCIDENTAL TO THE PULL BOX BID ITEMS.



PULL BOX DETAILS

- NOTES FOR HEAVY DUTY REINFORCED POLYMER MORTAR PULL BOX AND COVERS**
- MATERIAL TO BE AN AGGREGATE CONSISTING OF SAND AND GRAVEL BOUND TOGETHER WITH A POLYMER AND REINFORCED WITH POLYMER GLASS STRANDS. THE MATERIAL MUST HAVE THE FOLLOWING MECHANICAL PROPERTIES: COMPRESSIVE STRENGTH - 11,000 PSI, TENSILE STRENGTH - 1,700 PSI, FLEXURAL STRENGTH - 7,500 PSI.
 - ALL PULL BOX COVERS SHALL BE HEAVY DUTY REINFORCED POLYMER MORTAR, HAVING A SERVICE LOAD OF 22,568 LBS OVER 10" SQUARE (225 PSI).
 - PULL BOX TYPE AND LOGO SHALL BE APPROVED BY THE PROJECT MANAGER.
 - THE DIMENSIONS OF THE PULL BOXES SHOWN ARE NOMINAL DIMENSIONS AND MAY VARY AS TO THE MANUFACTURER'S RECOMMENDATIONS. ALL DIMENSIONS SHALL BE VERIFIED BY THE PROJECT MANAGER.
 - ELECTRICAL PULL BOX (STANDARD) SHALL BE A HEAVY DUTY REINFORCED POLYMER MORTAR PULL BOX AND COVER MEASURING 13 3/4" x 23 1/4" x 2".

| | |
|-----------|---------------------------------|
| REVISIONS | NM APWA |
| | TRAFFIC SIGNAL PULL BOX DETAILS |
| | DWG. 2550 |
| | FEB. 2006 |