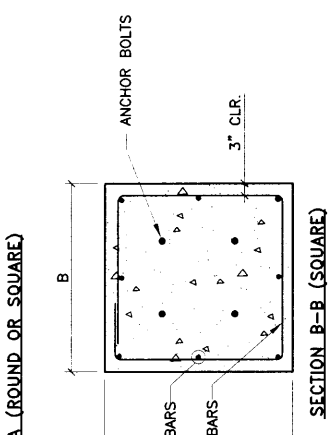
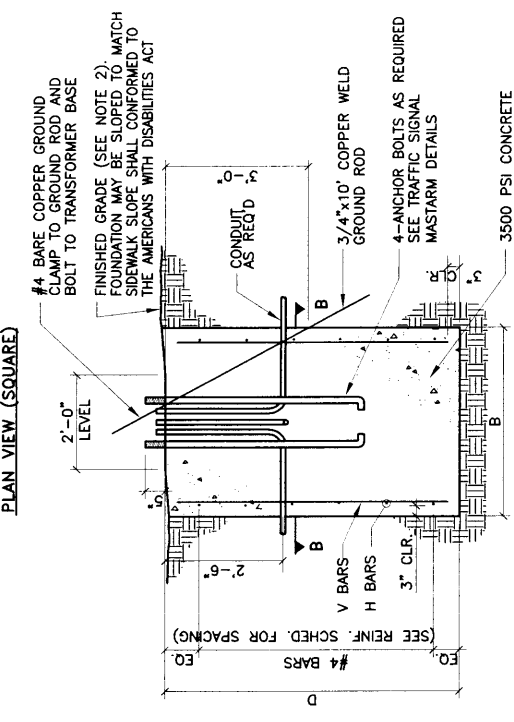
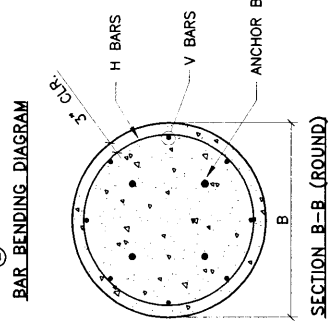
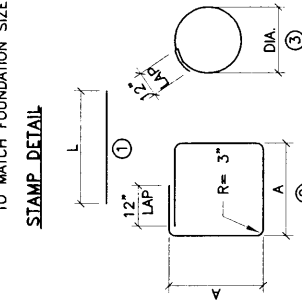
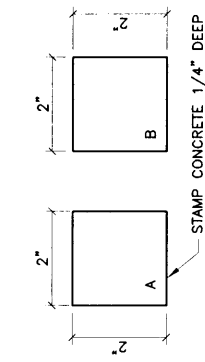
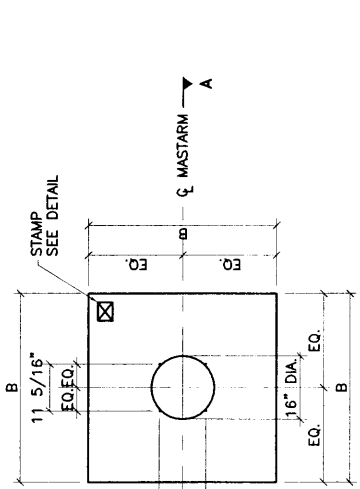
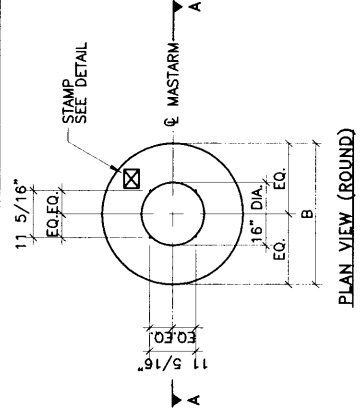


FOUNDATION DIMENSIONS AND QUANTITIES						
FOUNDATION TYPE	SIGNAL ARM SPAN (FT)	DIMENSION B (WIDTH) (DEPTH) (EQ.)	REINFORCING V BARS H BARS MARK	REBAR POUNDS	3500 PSI CONCRETE CUBIC YARDS	NOTES
TYPE A (SQUARE)	15	3'-6"	#3H2	49.1	2.27	
	20	5'-0"	#4V2			
	25					
TYPE B (SQUARE)	30	4'-0"	#3H1	82.6	3.70	
	35	6'-3"	#5V1			
TYPE A (ROUND)	15	2'-6"	#6V4	98.1	1.55	ROUND SHAPE TO BE USED ONLY WHERE SPECIFICALLY NOTED ON PLANS OR WHEN APPROVED BY THE PROJECT MANAGER.
	20					
TYPE B (ROUND)	30	3'-0"	#7V3	179.7	3.08	
	40	11'-9"				

REINFORCING SCHEDULE (GRADE 60 BARS)			
MARK	QUANT	TYPE	LENGTH COMMENTS
#5V1	8	1	5 5'-9"
#4V2	8	1	4 4'-6"
#7V3	6	1	7 11'-3"
#6V4	6	2	6 8'-0"
#3H1	6	2	3 15'-4"
#3H2	5	2	3 13'-4"
#3H3	12	3	3 9'-3"
#3H4	9	3	3 7'-8"

**TRAFFIC SIGNAL MASTARM FOUNDATION NOTES**

- REFER TO THE PLANS FOR LOCATIONS OF TRAFFIC SIGNAL MASTARM FOUNDATIONS.
- FINISHED GRADE FOR THE FOUNDATIONS SHALL BE ESTABLISHED IN THE FIELD BY THE PROJECT MANAGER.
- THE FOUNDATIONS SHOWN HERE SHALL BE CONSTRUCTED IN ACCORDANCE WITH THE STANDARD SPECIFICATIONS FOR PUBLIC WORKS CONSTRUCTION, CURRENT REVISION.
- CONCRETE SHALL BE 3500 PSI FOR EXTERIOR STRUCTURES. REFER TO TABLE 101.C OF THE SPECIFICATIONS.
- REINFORCING STEEL SHALL CONFORM TO ASTM A-615 GRADE 60.
- THE TOP 6 INCHES OF THE FOUNDATION PEDESTAL SHALL BE FORMED TO THE DIMENSIONS SHOWN ON THIS SHEET TO FORM NEAT LINES. CONCRETE BELOW 6 INCHES MAY BE CAST AGAINST THE EARTH.
- THE CONCRETE SHALL GAIN 80% OF THE DESIGN STRENGTH PRIOR TO INSTALLING THE TRAFFIC SIGNAL MASTARM.
- ALL FOUNDATIONS SHALL INCLUDE COPPER WELD GROUND RODS. ALL GROUND RODS SHALL BE 3/4" DIA X 10'-0" AND WILL BE CONSIDERED INCIDENTAL TO THE FOUNDATIONS BID ITEMS.
- ALL FOUNDATIONS SHALL BE STAMPED EITHER "A" OR "B" TO SHOW TYPE CONSTRUCTED (SEE STAMP DETAIL).
- CONCRETE PER SEC. 101. EXTERIOR CONCRETE,  $f_c=3500$  PSI AT 28 DAYS.



REVISIONS	
	NM APWA
	TRAFFIC SIGNAL FOUNDATION DETAILS TYPE II AND TYPE III STANDARDS
	DWG. 2558 FEB. 2006