

SEE MOUNTING THIS SHEET

4" DIA. (MIN.) (NOMINAL)

ALUMINUM OR STEEL

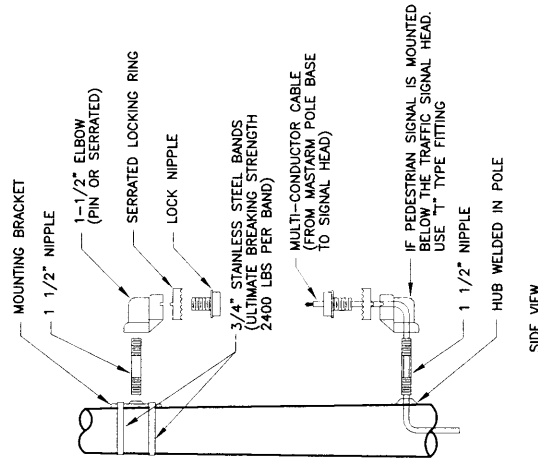
PROVIDE 1/4" GALV. SET SCREW

CAST ALUMINUM BASE

NOTES:

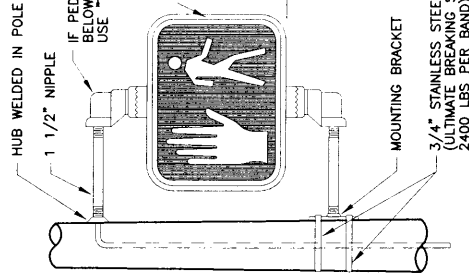
- STREET NAME SIGNS REQUIRED AS SHOWN ON PLANS.
- STREET NAME SIGN SHALL BE 16" WIDE WITH 6" SERIES "C" LETTERS. SIGN SHALL BE NO MORE THAN TEN (10) SQUARE FEET TOTAL AREA AND SHALL HAVE HIGH INTENSITY, SQUARE REFLECTIVE LEGEND 1" BORDER AND BACKGROUND COLORS: WHITE ON GREEN, SIGN PANELS SHALL BE SINGLE SHEET 6061-T6 ALUMINUM, 1/25 MINIMUM THICKNESS.
- PEDESTRIAN ACTUATED CROSSING SHALL BE A MAXIMUM OF 42' ABOVE THE FINISHED PUBLIC SIDEWALK.
 - STABLE, FIRM, AND SLIP-RESISTANT AREA.
 - SHALL BE PARALLEL TO AND APPROACH TO FROM FORWARD OR ALL BEARINGS APPROACH TO THE CONTROLS WHERE A PARALLEL IS PROVIDED CONTROLS SHALL BE WITHIN 10' HORIZONTALLY OF AND CENTERED ON THE CLEAR GROUND SPACE.
- FOR INSTALLATIONS WITH ONLY PEDESTRIAN SIGNALS, CUT SHAFT TO 9'. USE 15' SHAFT FOR PEDESTAL POLES REQUIRING BOTH 5-SECTION SIGNAL ASSEMBLIES AND PEDESTRIAN SIGNALS.

PEDESTAL POLE DETAILS

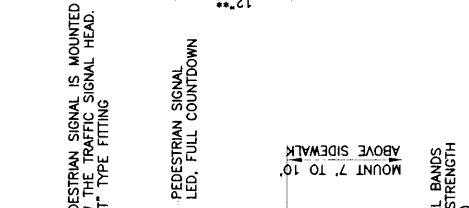


SIDE VIEW

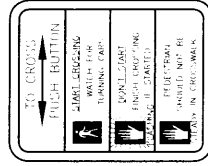
MOUNTING DETAIL



PEDESTRIAN SIGNAL DETAILS

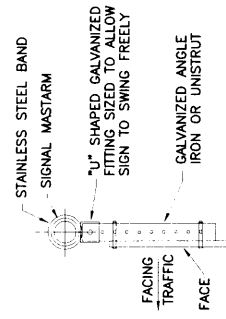


PUSH BUTTON DETAIL

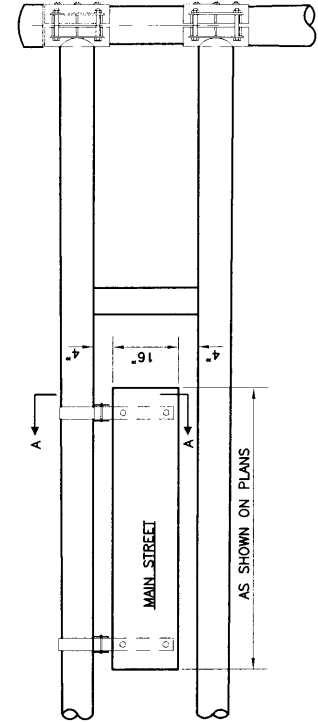


** USE SMALLER SIZE FOR PEDESTAL POLES
PUSH BUTTON SHALL CONFORM TO ADA REQUIREMENTS

FINISH:	<input type="checkbox"/> GALVANIZED
	<input type="checkbox"/> POWDER COATED
	COLOR _____



SECTION "A-A"



STREET NAME SIGN DETAILS

REVISIONS	NM APWA
	TRAFFIC SIGNAL MISCELLANEOUS DETAILS
DWG. 2560	FEB. 2006