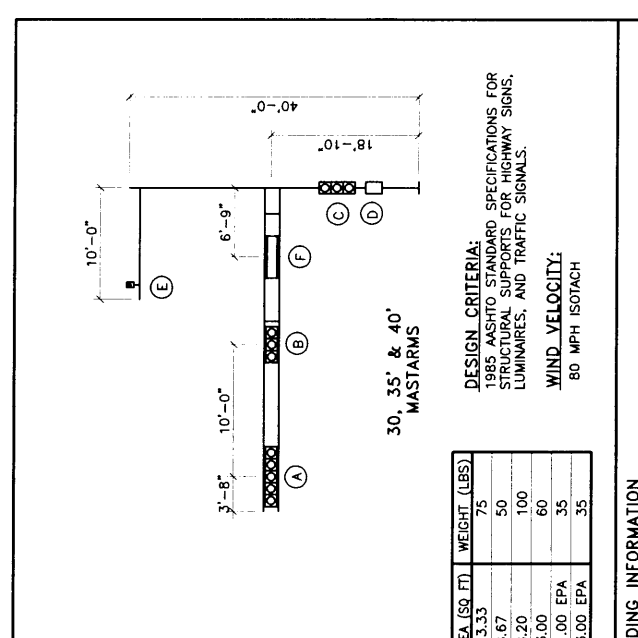
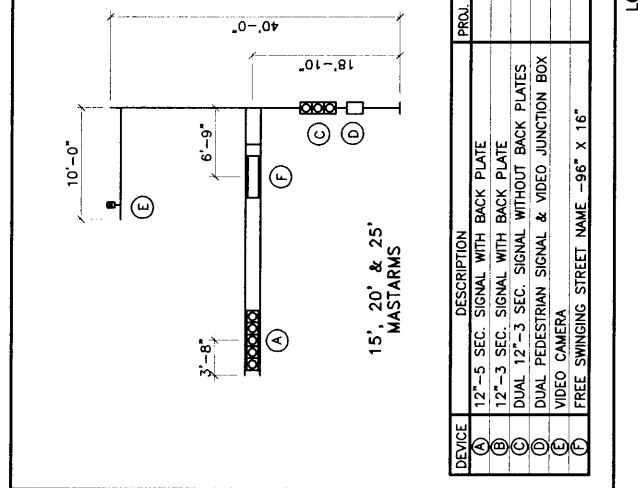


FOR THIS INFORMATION SEE TABLE

MEMBER SIZES	1
MATERIAL DATA	2
EXTENSION DATA	3



DEVICE	DESCRIPTION	PROJ. AREA (SQ. FT)	WEIGHT (LBS)
(A)	12"-5 SEC. SIGNAL WITH BACK PLATE	13.33	75
(B)	12"-3 SEC. SIGNAL WITH BACK PLATE	8.67	50
(C)	DUAL 12"-3 SEC. SIGNAL WITHOUT BACK PLATES	8.20	100
(D)	DUAL PEDESTRIAN SIGNAL & VIDEO JUNCTION BOX	3.00	60
(E)	VIDEO CAMERA	1.00	35
(F)	FREE SWINGING STREET NAME -96" X 16"	3.00	35

DESIGN CRITERIA:
 1985 ASHTO STANDARD SPECIFICATIONS FOR STRUCTURAL SUPPORTS FOR HIGHWAY SIGNS, LUMINAIRES, AND TRAFFIC SIGNALS.
 WIND VELOCITY:
 80 MPH ISOTACH

LOADING INFORMATION

DESIGNATION (SEE EXAMPLE ABOVE)	POLE DATA			BASE PLATE DATA			ANCHOR BOLT DATA			MASTARM DATA			ARM ATTACHMENT DATA											
	POLE TYPE	SIGNAL SPAN (FT)	CAMERA MOUNTING HEIGHT (FT)	MIN. YIELD (KSI)	ASTM DESIGNATION	COMPONENT	BASE DIA	TOP DIA	LENGTH	GA	BC RANGE	BOLT CIRCLE	DIAMETER "K"	LENGTH "L"	HOOK "H"	FIXED END DIA	FREE END DIA	LENGTH (FT)	"A"	"B"	"C"	"D"	"E"	
ALB 2	15	0, 30, 35, 40	0, 30, 35, 40	36	A36	SIGNAL ARM CLAMP	10.00"	7.06"	21'-0"	7	16.00"	19.00"	1.50"	54"	6"	5.80"	3.70"	11	7.25"	9.44"	10.81"	10.38"	10.38"	1.00"-BUNC X 8.00"
ALB 2	20	0, 30, 35, 40	0, 30, 35, 40	36	A36	SIGNAL ARM CLAMP	10.00"	7.06"	21'-0"	7	16.00"	19.00"	1.50"	54"	6"	6.50"	3.70"	11	7.25"	9.44"	10.81"	10.38"	10.38"	1.00"-BUNC X 8.00"
ALB 2	25	0, 30, 35, 40	0, 30, 35, 40	36	A36	SIGNAL ARM CLAMP	10.00"	7.06"	21'-0"	7	16.00"	19.00"	1.50"	54"	6"	7.00"	3.50"	11	7.25"	9.44"	10.81"	10.38"	10.38"	1.00"-BUNC X 8.00"
ALB 2	30	0, 30, 35, 40	0, 30, 35, 40	36	A36	SIGNAL ARM CLAMP	12.00"	9.06"	21'-0"	5	16.00"	19.00"	1.50"	54"	6"	7.72"	3.52"	7	9.25"	11.44"	13.81"	12.38"	12.38"	1.00"-BUNC X 9.00"
ALB 2	35	0, 30, 35, 40	0, 30, 35, 40	36	A36	SIGNAL ARM CLAMP	12.00"	9.06"	21'-0"	5	16.00"	19.00"	1.50"	54"	6"	8.30"	3.40"	7	9.25"	11.44"	13.81"	12.38"	12.38"	1.00"-BUNC X 9.00"
ALB 2	40	0, 30, 35, 40	0, 30, 35, 40	36	A36	SIGNAL ARM CLAMP	12.00"	9.06"	21'-0"	5	16.00"	19.00"	1.50"	54"	6"	9.00"	3.40"	7	9.25"	11.44"	13.81"	12.38"	12.38"	1.00"-BUNC X 9.00"

FINISH:

<input type="checkbox"/>	GALVANIZED
<input type="checkbox"/>	POWDER COATED
COLOR	

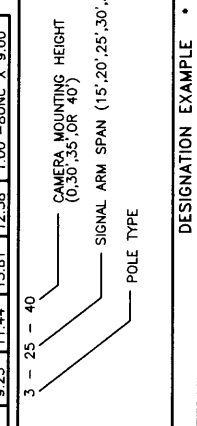


TABLE 2: MATERIAL DATA

COMPONENT	ASTM DESIGNATION	MIN. YIELD (KSI)	MIN. YIELD (KSI)	ASTM DESIGNATION
POLE TUBE	A595 GR A 55	55	36	A36
BASE PLATE	A36	36	36	A36
MAST ARM TUBE	A595 GR A 55	55	36	A36
CAMERA ARM TUBE	A595 GR A 55	55	36	A123 & A153
POLE EXTENSION	A595 GR A 55	55	36	A123 & A153
ANCHOR BOLTS	AASHTO M314 GR 55	55	36	A325 *

* LUBRICATE IN FIELD IF NECESSARY IN LIEU OF THE REQUIREMENT IN A325

TABLE 3: EXTENSION TUBE DATA

MASTARM LENGTH (FT)	CAMERA MTG HT (FT)	EXTENSION TUBE		
		BASE DIA	TOP DIA	LENGTH (FT)
15-20	30	7.00	5.74	9.0
20-25	35	7.00	5.04	14.0
25-30	40	7.00	4.34	19.0
30-40	35	9.00	7.74	9.0
30-40	40	9.00	7.04	14.0
30-40	40	9.00	6.34	19.0

DESIGNATION EXAMPLE **

REVISIONS	
TRAFFIC SIGNAL	
MASTARM DETAILS TYPE III STANDARD	
DWG. 2562c	