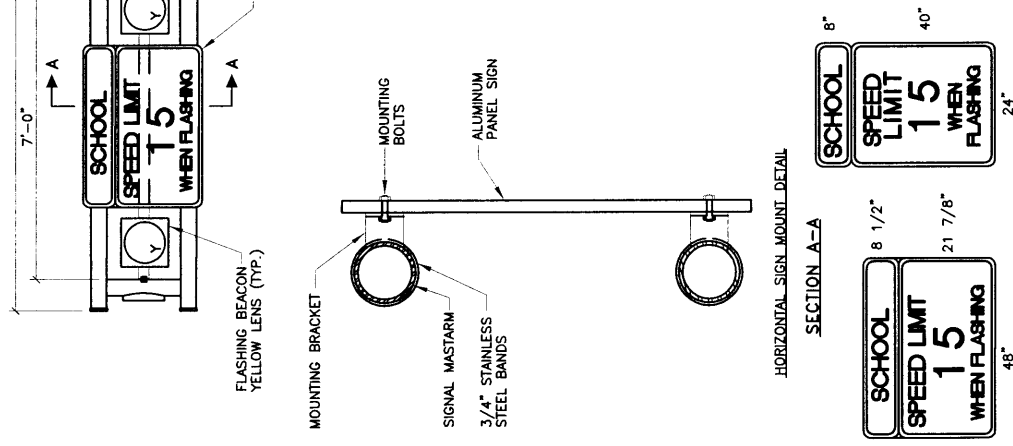


- NOTES:
- EACH SCHOOL BEACON (MASTARM) WILL BE MEASURED AND PAID FOR UNDER THE FOLLOWING ITEMS:
 ITEM 0422.0XX - TRAFFIC SIGNAL MASTARM X' ARM (1 EACH BEACON)
 ITEM 0423.002 - TRAFFIC SIGNAL MASTARM FOUNDATION (1 EACH BEACON)
 ITEM 0427.001 - 1 SECTION TRAFFIC SIGNAL ASSEMBLY (4 EACH BEACON)
 ITEM 0450.001 - ALUMINIUM PANEL SIGNS (2 EACH BEACON)



REVISIONS	NM APWA TRAFFIC SIGNAL SCHOOL BEACON DETAILS (MASTARM)
DWG. 2585	FEB. 2006