

ADJUST NIPPLE TO PLUMB SIGNAL HEAD

FLASHING BEACON YELLOW LENS (TYP)

ALUMINUM PANEL SIGN 36"X36" AS SHOWN ON PLANS

SEE MOUNTING DETAILS THIS SHEET

4" DIA. (MIN.) (NOMINAL)

ALUMINUM OR STEEL

PROVIDE 1/4" GALV SET SCREW

CAST ALUMINUM BASE

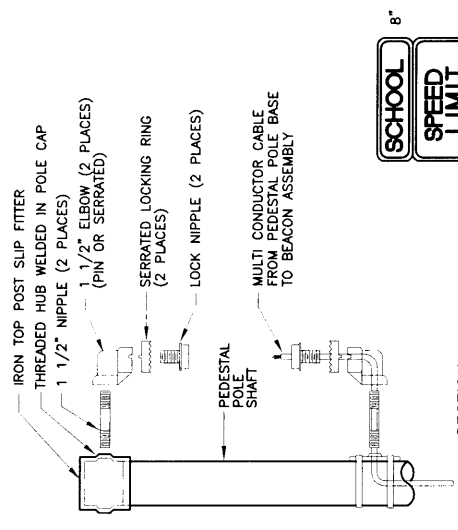
RIGID ELECTRICAL CONDUIT AS SHOWN ON PLANS SEE PEDESTAL FOUNDATION DETAIL

**HAZARD IDENTIFICATION Beacon Detail**

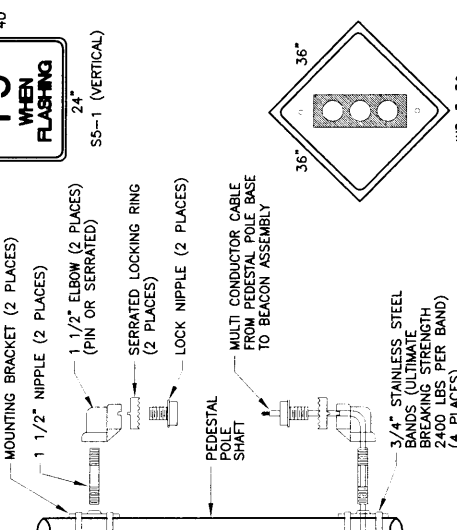
FRONT VIEW

SIDE VIEW

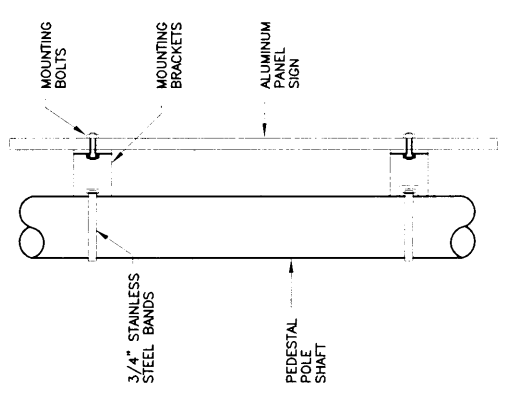
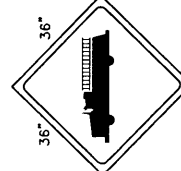
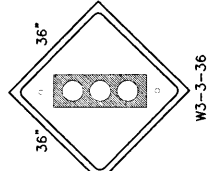
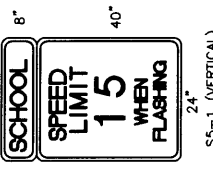
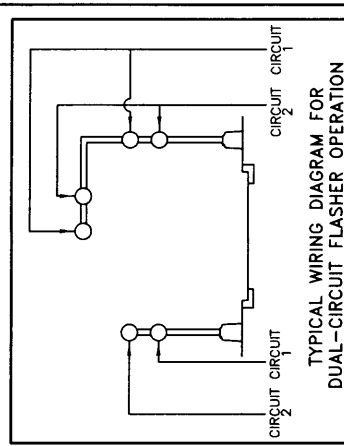
- NOTES:**
1. EACH WARNING TRAFFIC BEACON WILL BE MEASURED AND PAID FOR UNDER THE FOLLOWING ITEMS:
  2. ITEM 0422.004 - TRAFFIC SIGNAL PEDESTAL POLE 15" (1 EACH BEACON)
  3. ITEM 0423.001 - TRAFFIC SIGNAL FOUNDATION FOR PEDESTAL POLE (1 EACH BEACON)
  4. ITEM 0427.001 - 1 SECTION TRAFFIC SIGNAL ASSEMBLY (2 EACH BEACON)
  5. ITEM 0450.001 - ALUMINUM PANEL SIGNS (1 EACH BEACON)



**SECTION A-A**



**SECTION B-B**



**COLORS**  
 LEGEND: BLACK (NON-REFLECTIVE)  
 TOP PANEL: YELLOW  
 BOTTOM PANEL: WHITE  
 OUTSIDE BORDER: WHITE  
 INSIDE BORDER: BLACK

REVISIONS	NM APWA
	TRAFFIC SIGNAL WARNING TRAFFIC BEACON DETAILS

**TYPICAL SIGN FACE DETAIL FOR HAZARD IDENTIFICATION BEACON**