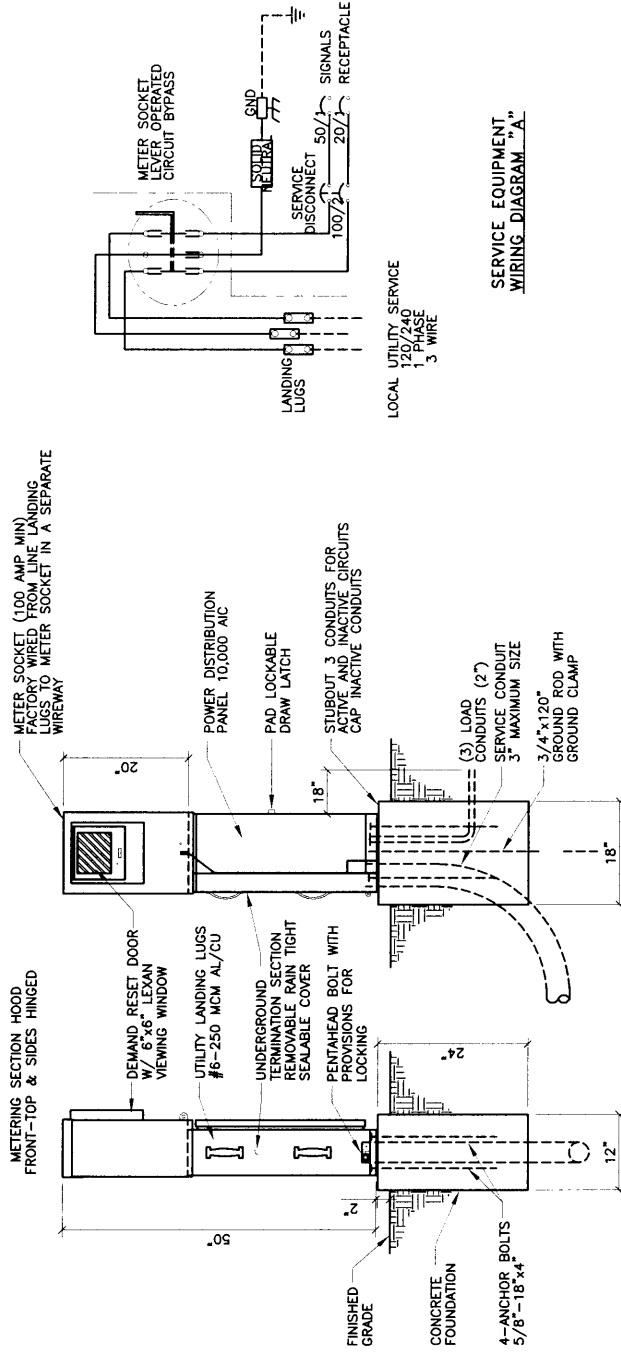
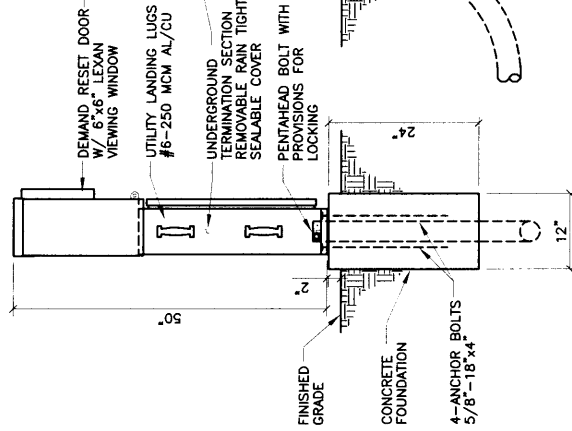


METER SOCKET (100 AMP MIN)
FACTORY WIRED FROM LINE LANDING
LUGS TO METER SOCKET IN A SEPARATE
WIREFRAY



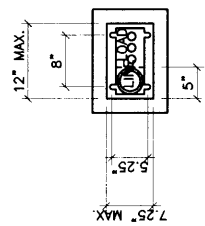
**SERVICE EQUIPMENT
WIRING DIAGRAM "A"**

METERING SECTION HOOD
FRONT-TOP & SIDES HINGED



FRONT VIEW

LEFT SIDE



BASE PLAN

METER PEDESTAL CONSTRUCTION NOTES

- METER PEDESTAL SHALL BE UL LISTED "INDUSTRIAL CONTROL PANEL" PER UL 508.
- METER PEDESTAL SHALL MEET THE ELECTRIC UTILITY SERVICE EQUIPMENT REQUIREMENTS COMMITTEE (EUSERC) GUIDELINES.
- CONSTRUCTION SHALL BE NEMA 3R AND 12, RAIN TIGHT AND DUST TIGHT. ELECTRICALLY WELDED AND REINFORCED WHERE REQUIRED.
- ALL NUTS, BOLTS, SCREWS AND HINGES SHALL BE STAINLESS STEEL.
- NUTS, BOLTS, AND SCREWS SHALL NOT BE VISIBLE FROM OUTSIDE OF METER PEDESTAL.
- PHENOLIC NAME PLATES SHALL BE PROVIDED AS REQUIRED.
- CIRCUIT BREAKERS SHALL BE CABLE IN-CABLE OUT WITH LINE ON TOP & LOAD ON THE BOTTOM. HANDLE POSITION UP=ON, MIDDLE=TRIPPED, DOWN=OFF.
- A PLASTIC COVERED WIRING DIAGRAM SHALL BE ATTACHED TO THE INSIDE OF THE FRONT DOOR.
- METER PEDESTAL SHALL BE FACTORY WIRED AND CONFORM TO REQUIRED NEMA STANDARDS.
- ALL POWDER COATED METER PEDESTAL SHALL HAVE A CORROSION RESISTANT COATING WHICH INCLUDES A FIVE STEP DIP TANK METAL PREPARATION PROCESS:
 - ALKALINE CLEANER 160° F.
 - CLEAR WATER RINSE
 - IRON PHOSPHATE APPLICATION 150°
 - CLEAR WATER RINSE
 - INHIBITIVE RINSE TO SEAL PHOSPHATED SURFACES 120°
 FINISHED WITH AN ELECTROSTATICALLY APPLIED DRY POLYESTER POWDER COATING THEN BAKED @ 380° TO CURE.
- CONCRETE FOUNDATIONS INCLUDING EXCAVATION AND BACKFILL, CONCRETE, AND ANCHOR BOLTS, COMPLETE-IN PLACE, WILL BE CONSIDERED INCIDENTAL TO THE METER PEDESTAL.

CONSTRUCTION MATERIALS AND FINISH

- 12 GA HD GALVANIZED SHEET STEEL
- POWDER COATED
- 14 GA #304L STAINLESS STEEL SHEET
- POWDER COATED COLOR: NATURAL
- 0.125" ALUMINUM SHEET
- POWDER COATED COLOR: ANODIZED

POWDER COAT COLORS

- WHITE
- RANCH GREEN
- MINT GREEN
- OTHER _____
- CAMEL

| | |
|-----------|---|
| REVISIONS | NM APWA TRAFFIC SIGNAL METER PEDESTAL DETAILS FOR SIGNAL |
| | DWG. 2571 FEB. 2006 |