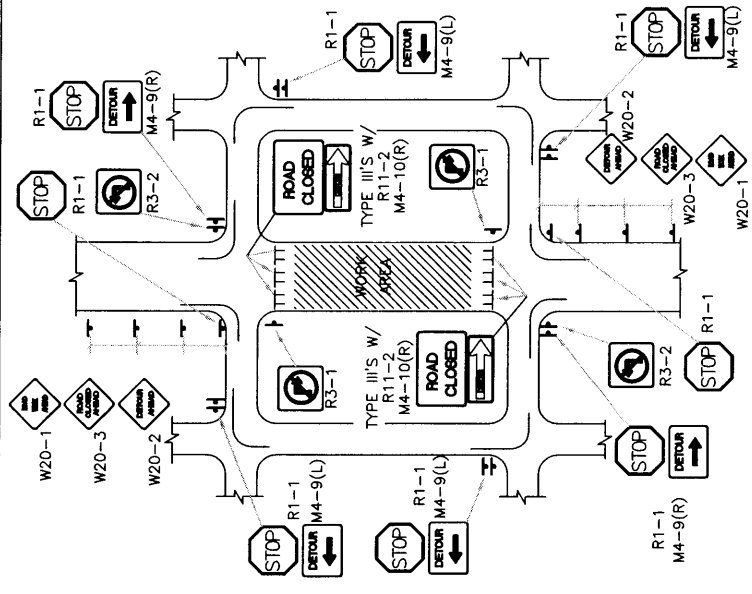


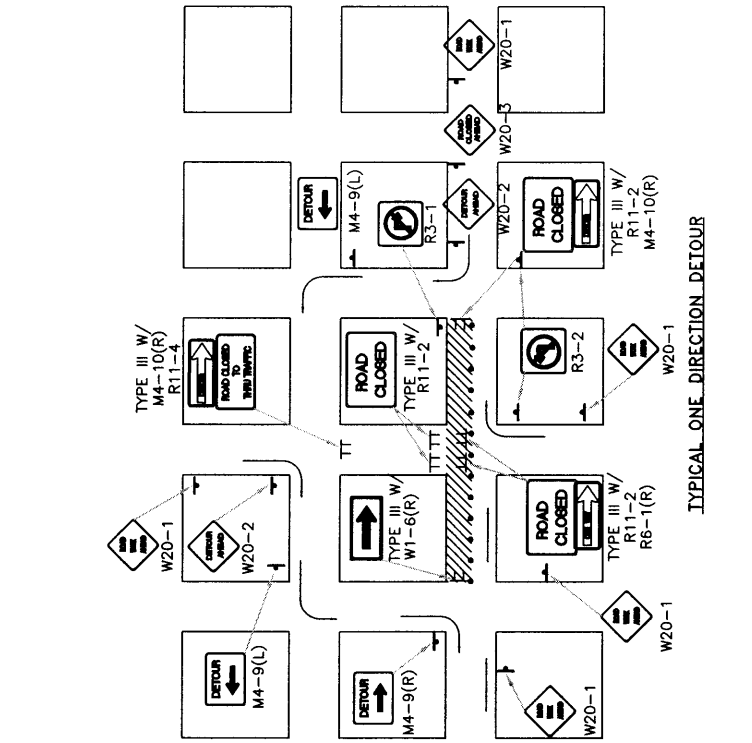
TYPICAL STREET CLOSURE
NOTE: (R1-1) BASED ON FIELD CONDITIONS.

- GENERAL NOTE:**
1. ALL CONSTRUCTION WARNING SIGNS SHALL HAVE A BLACK LEGEND ON A ORANGE BACKGROUND.
 2. ALL ADVANCE WARNING SIGNS SHALL BE A MINIMUM OF 36" X 36" IN SIZE AND SHALL HAVE ONE WARNING LIGHT.
 3. SEE DWG. 2803 FOR DEFINITION OF "D" AND "L".

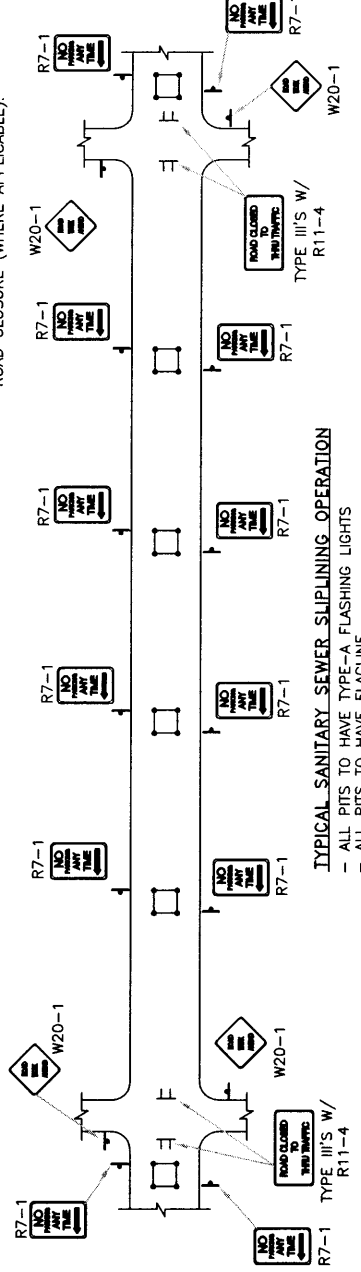


TYPICAL STREET CLOSURE

- NOTES:**
1. (R1-1) BASED ON FIELD CONDITIONS.
 2. CLOSE LEFT TURN AND RIGHT TURN ONLY LANES ON CROSS STREETS AT EACH END OF ROAD CLOSURE (WHERE APPLICABLE).



TYPICAL ONE DIRECTION DETOUR



TYPICAL SANITARY SEWER SLIPLINING OPERATION

- ALL PITS TO HAVE TYPE-A FLASHING LIGHTS
- ALL PITS TO HAVE FLAGLINE

REVISIONS	NM APWA
	TEMPORARY TRAFFIC CONTROL
	TYPICAL TRAFFIC CONTROL & SIGNING EXAMPLES (REF. MUTCD)
	DWG. 2804 FEB. 2006