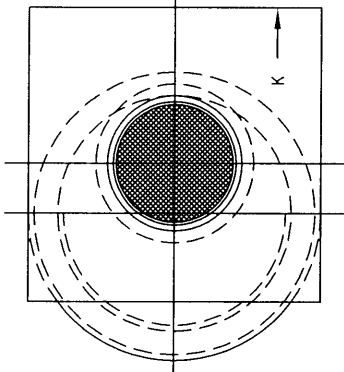
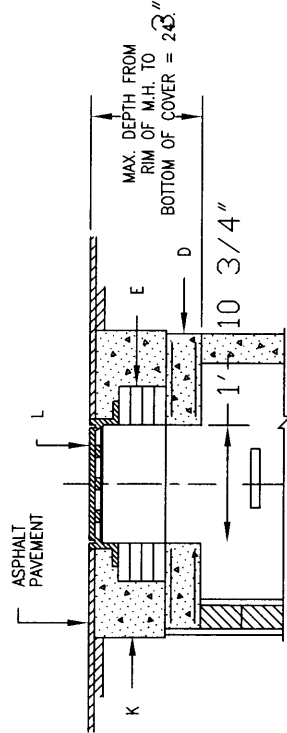


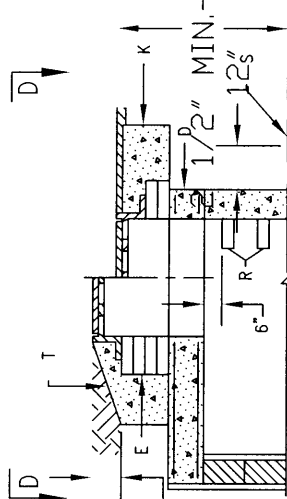
PLAN AT C-C



PLAN AT D-D



CROSS SECTION A-A



CROSS SECTION B-B

GENERAL NOTES:

1. USE TYPE C M.H. FOR DEPTHS OF LESS THAN 6' MEASURED FROM INV. TO RIM.
2. CONTRACTOR HAS OPTION TO CONSTRUCT TYPE C M.H. IN LIEU OF TYPE E M.H. FOR DEPTHS OF 6' OR MORE.
3. DESIGN APPLIES TO 4' & 6' I.D. MANHOLES.
4. M.H. GREATER THAN 18' IN DEPTH SHALL ONLY BE CONSTRUCTION PRECAST CONCRETE SECTIONS.
5. USE NON-SHRINK GROUT FOR JOINTS, FILLETS AND PENETRATIONS.
6. COMPACT ALL BACKFILL AROUND MANHOLE TO 95%.
7. POSITION M.H. OPENING OVER THE UPSTREAM SIDE OF MAIN LINE.

CONSTRUCTION NOTES:

- A. CONCRETE PIPE SUPPORTS SHALL EXTEND OUTSIDE OF M.H. TO BELL OF FIRST JOINT & SHALL CRADLE PIPE TO SPRING LINE. NOT APPLICABLE FLEXIBLE PIPE.
- B. PIPE PENETRATION INTO MANHOLE SHALL BE FLUSH TO 2" MAX., MEASURED AT SPRINGLINE OF PIPE.
- D. PRECAST CONCRETE COVER, SEE DWG. 2107.
- E. USE MAX. 4 COURSES GR. MS BRICK ON UNPAVED STREET FOR FUTURE ADJ. OF M.H. FRAME TO PAVEMENT GRADE. PLASTER INSIDE WITH 1/2" MORTAR.
- F. CONCRETE BASE TO BE POURED IN PLACE USING NO. 4 BARS AT 6" O.C. EA. WAY FOR M.H. DEPTH OF 16' OR GREATER. NO. 4 BARS AT 12" O.C. EA. WAY FOR M.H. LESS THAN 16' IN DEPTH.
- H. INV. ELEV. OF STUB OR LATERAL AS SHOWN ON PLANS.
- J. 6" GROUT FILLET ON UPPER HALF OF PIPE AND AROUND BASE.
- K. USE A 5' X 5' CONCRETE PAD IN ALL AREAS. FRAME AND COVER, SEE DWG. 2110.
- M. CONCRETE FILL, 3000 PSI.
- N. SLOPE 1" PER FT. FROM PIPE CROWN.
- P. SHELF TO BE 9" WIDE MIN.
- Q. APPROVED WATERSTOP TO BE COMPATIBLE WITH TYPE OF PIPE.
- R. STEPS TO BE INSTALLED AS PER SPEC. SECTION 920.4.7.
- S. END (IN UNPAVED AREAS)
- T. IN UNPAVED AREAS SET FRAME TO GRADE AND SLOPE TOP OF PAD.

REVISIONS

NM APWA

SEWER
MANHOLE TYPE "C"

DWG. 2101